

# ELECTRONIC WHEEL BALANCER WITH MONITOR

Passenger car wheel balancer complete with cones for car, SUV and off-road vehicle, touchscreen monitor, laser pointer, rim diameter: 10" - 30".

+ 22" touchscreen monitor  
+ Laser pointer  
+ Sonar to measure the radial run-out

22" touchscreen monitor.

The machine automatically stops in the external unbalance position.

Automatic repositioning on the inside.

Automatic measurement of the distance and diameter using a built-in 2D measuring arm.

Sonar for automatic measurement of the wheel width.

Pneumatic clamping device.

LED rim lighting.

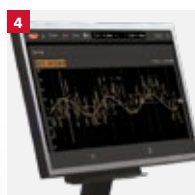
Indicates the positioning of the weight with a laser pointer (for adhesive weights).

## DETAILS



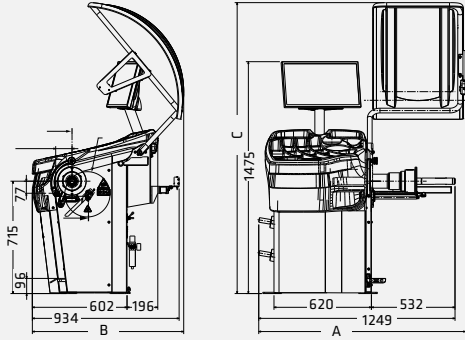
**1** Rim run-out measurement with 2D measurement arm.

**2** Wheel balancing programs: Dynamic, Static, ALU and ALU-S, separation of weights and hidden weights behind the spokes and optimisation program.



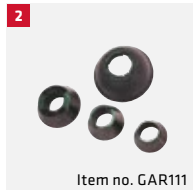
**3** Eco-Weight wheel balancing program. Modern system for resetting the unbalance to reduce weight consumption.

**4** Graphic display of the run-out of the wheel and rim on the same screen.

**LIBRAK370PWS**

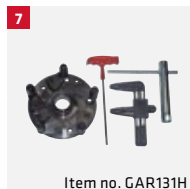
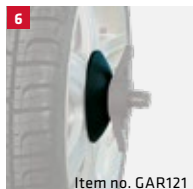
Model	LIBRAK370PWS
Item no.	ROT.LB370.201614
Measuring speed	< 100 giri/min
Measuring time	6 s
Balancing accuracy +/-	1 g
Display	TFT
Rim width	1.5" - 22"
Rim diameter min.	10" - 30"
Wheel diameter max.	1100 mm
Wheel weight max.	80 kg
Power supply	230 V   50 - 60 Hz
Phases	1
A Depth	1320 mm
B Width	970 mm
C Height	1870 mm
Weight	150 kg

## STANDARD



- 1** Centering cone for off-road vehicles (Ø 95-132 mm).
- 2** Centering cones for passenger car (Ø 44-112 mm) 1 set / 3 pieces.
- 3** Bush for air locking + with pressure ring.

## OPTIONALS



- 5** Centering cone for vans and light trucks (Ø 118-174 mm).
- 6** Rim protection disk.
- 7** Type clamping flange Universal.
- 8** Precision type clamping flange Universal, for wheels with 3/4/5 holes.
- 9** Wheel lift with automatic compensation of wheel weight.
- 10** Tape-weight roller support.

