

THE WAY TO THE FUTURE

TOMORROW SERIES

Revised technology shaping a modern design. The 2-post lifts of the **Tomorrow Series** of Rotary raise your workshop immediately into the future. Tested for 20000 cycles and designed for TEq-Link online internet connection, your workshop is prepared for all innovations that are yet to come.

- + **RELIABLE & POWERFUL:** solid performance even under demanding conditions
- + **FLEXIBLE & VERSATILE:** three possible installation widths to satisfy any workshop needs and applicable to a wide range of different vehicles
- + **MODERN & PREMIUM:** a contemporary look meets the premium quality of components

Equipped with an acoustic anti toe trap system. Free from mechanical foot guards.

The new column geometry allows for quick replacement of the nut.

Internal carriages running on lubricated sliding guides, protected from the external environment, that ensures a longer life to the sliding elements.

The geometry of the arms was designed to lift anything from city to long-wheelbase cars.



Capacity

3.2 t

The illustration shows SPM32-S.

HIGHLIGHTS IN DETAIL



1 Short 3-stage arms and long 2-stage arms with quick fittetelescopic rubber pad.

2 Electronic synchronization.

3 Wide rubber protected areas.

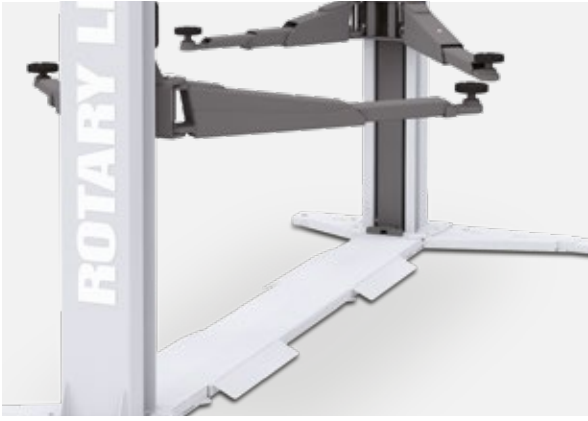
+ Aluminium pulley with cooling function.

+ Long lasting bearings.

+ 50% longer bronze load nut.

+ Motors with reinforced and cooling casing.

+ Solid automatic arm locking.



SPM32-S

Load-bearing base: installation also possible on floors having levelness problems or insufficient capacity parameters and cement thickness.

Lowered load-bearing platform: H 50 mm.



SPM32-C

Base with smaller size that reduces the work area space.

A set with two plates allows lifts to be installed even on a quality of concrete lower than required.



(*Please refer to the manual for installation requirements.)

TOMORROW SERIES



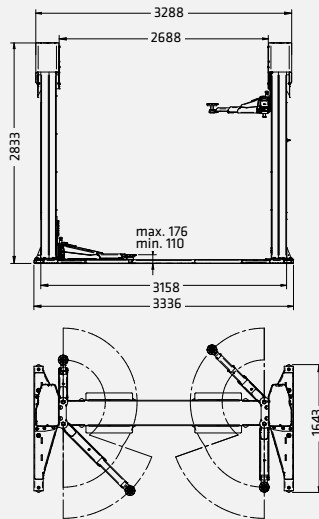
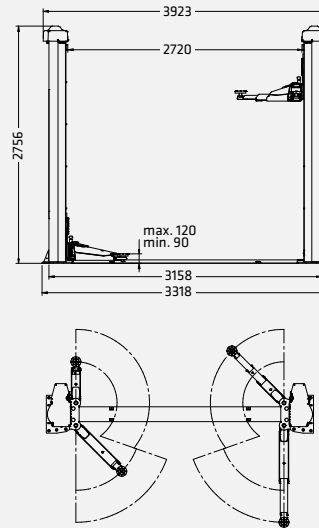
MINIMUM ROUTINE MAINTENANCE.

The operating parts require little time for easy replacement or maintenance reducing the risk of error on safety elements.



GUARANTEED SAFETY AND QUALITY OVER THE TIME.

The lift is equipped with premium components that guarantee durability and maximum safety for the operator.

SPM32-S**SPM32-C**

Modello	SPM32-S	SPM32-C
Capacity	3200 kg	3200 kg
Max. lifting height	1883 mm	1883 mm
Lifting time	42 s	42 s
Min. pad height	110 mm	90 mm
Max. pad height	176 mm	120 mm
Column height	2833 mm	2756 mm
Drive-through width	2468 mm	2468 mm
Min. ceiling height	4050 mm	4050 mm
Arm layout	asymmetric	asymmetric
Min. front arm length	541 mm	511 mm
Max. front arm length	950 mm	914 mm
Min. rear arm length	815 mm	805 mm
Max. rear arm length	1215 mm	1203 mm
Width	3336 mm	3318 mm
Height	2833 mm	2756 mm

	Item no.	Base	Control	Teq-Link	Power supply
SPM32-S	ROT.SP32S.199324	load-bearing	push buttons	✓	400 V 50 Hz
SPM32-C	ROT.SP32C.199225	space-saving	rotating switch		400 V 50 Hz



ACCESSORIES

1



Item no.
VSG.2CALL.901071

2



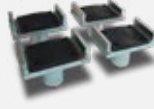
Item no.
VSG.2CALL.901248

3



Item no.
VSG.2CALL.901163

4



Item no.
VSG.2CALL.901330

5



Item no.
VSG.2CALL.901538

6



Item no.
VSG.2CALL.901859

7



Item no.
VSG.2CALL.902023

8



Item no.
VSG.2CALL.902146

9



Item no.
VSG.2CELM.901927

10



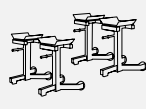
Item no.
VSG.2CELM.902498

11



Item no.
VSG.2CALL.902818

12



Item no.
VSG.2CALL.902085

13



Item no.
VSG.2CALL.902641

14



Item no.
VSG.2CALL.902511

- 1** Kit containing 8 spacers for pads. 4 spacers x H 89 mm + 4 spacers x H 127 mm, 2 spacer support brackets.
- 2** Kit containing 4 spacers for pads. 4 spacers x H 200 mm, 2 spacer support brackets.
- 3** Kit with frame engaging adapters. 1 set with 4 pieces.
- 4** Kit with U-shaped frame engaging adapters. 1 set with 4 pads.
- 5** Kit with pads for TESLA vehicles. 1 set with 4 pads.
- 6** Mercedes G class support pads kit. 1 set of 4 pads.
- 7** Kit with pads for Fiat 500E, 500 ABARTH. 1 set with 4 pads.
- 8** Kit with pads for MEB platform. 1 set with 4 pads.
- 9** Eyebolt for handling columns (3.2 t - 3.5 t - 4.2 t). It facilitates installation of the lift, can be used again for other installations.
- 10** Inground cable connection kit. Allows columns connection cables to be placed inground, eliminating the overhead connecting pipes and height restrictions. Ideal for workshops with low ceilings (only for model SPM32C).
- 11** Vehicles lift platforms kit. 1 set with 4 ramps, ramp height 60 mm.
- 12** Kit of stands for alignment. 1 set with 4 stands.
- 13** Magnetic tray. 1 set with 2 trays.
- 14** Holder for impact wrench. Ergonomic tool support.