

THE WAY TO THE FUTURE

TOMORROW SERIES

Revised technology shaping a modern design. The 2-post lifts of the **Tomorrow Series** of Rotary raise your workshop immediately into the future. Tested for 20000 cycles and designed for TEq-Link online internet connection, your workshop is prepared for all innovations that are yet to come.

- + **RELIABLE & POWERFUL:** solid performance even under demanding conditions
- + **FLEXIBLE & VERSATILE:** three possible installation widths to satisfy any workshop needs and applicable to a wide range of different vehicles
- + **MODERN & PREMIUM:** a contemporary look meets the premium quality of components

The electronic synchronization avoids the installation and periodical adjustment of the realignment cable.

Super low arms parallel to the floor.

Automatic conical arm locking system.

Automatic and permanent nut lubrication system to guarantee efficient movement during lifting and descent.



HIGHLIGHTS IN DETAIL



- 1** Asymmetric columns designed to optimize the drive through and footprint.
- 2** Steel high resistance rolled screw to provide long life.
- 3** Special high efficiency motors.
- 4** Premium quality of components.
+ Long lasting bronze main nut, for maximum safety.
+ Automatic conical arm locking system.



QUICK AND EASY OPERATIONS

Free of obstacles working space to guarantee safety and comfort. Outrigger plates are available upon request, for floors not compliant with installation requirements.



SMART AND FLEXIBLE INSTALLATION

Up to 20% improvement in installation time. The electronic synchronization avoids the installation and adjustment of the realignment cable. The lifts can be installed in a flexible way thanks to three width-adjustable positions.



TOMORROW SERIES



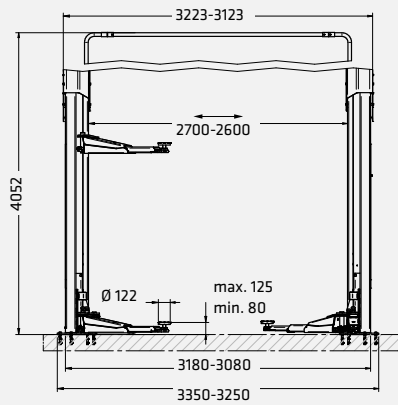
MINIMUM ROUTINE MAINTENANCE

The operating parts require little time for easy replacement or maintenance reducing the risk of error on safety elements.



PADS

Double extension pads with minimum height of just 80 mm.

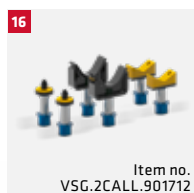
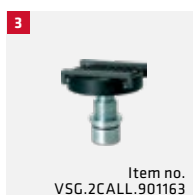
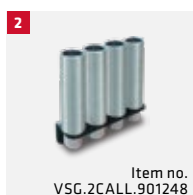
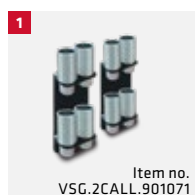
SPMA32-XER

Model	SPMA32-XER
Capacity	3200 kg
Max. lifting height	1990 mm
Lifting time	42 s
Min. pad height	80 mm
Max. pad height	125 mm
Drive-through width	2472 - 2372 mm
Min. ceiling height	4150 mm
Arm layout	symmetric
Min. front arm length	585 mm
Max. front arm length	1195 mm
Min. rear arm length	585 mm
Max. rear arm length	1195 mm
Width	3350 - 3250 mm
Height	4052 mm

	Item no.	Control	Energy kit	TEq-Link	Power supply
SPMA32-XER	ROT.SP32X.199379	push buttons	✓	✓	400/3/50Hz



ACCESSORIES



1 Kit containing 8 spacers for pads. 4 spacers x H 89 mm + 4 spacers x H 127 mm, 2 spacer support brackets.

2 Kit containing 4 spacers for pads. 4 spacers x H 200 mm, 2 spacer support brackets.

3 Kit with frame adapters. 1 set with 4 pieces.

4 Kit with U-shaped pads. 1 set with 4 pads.

5 Kit with pads for TESLA vehicles. 1 set with 4 pads.

6 Kit with pads for Fiat 500E, 500 ABARTH. 1 set with 4 pads.

7 Kit with pads for MEB platform. 1 set with 4 pads.

8 Outrigger plates kit (3.5 t). 1 set of 2 plates, allowing installation on floors with poor capacity or lower concrete thickness.

9 Kit for increasing overhead cable passage height. Up to + 1.5 m.

10 Eyebolt for handling columns (3.2 t - 3.5 t - 4.2 t). It facilitates installation of the lift, can be used again for other installations.

11 Vehicles lift platforms kit. 1 set with 4 ramps, ramp height 60 mm.

12 Kit of stands for alignment. 1 set with 4 stands.

13 Magnetic tray. 1 set with 2 trays.

14 Ducato/boxer/jumper support pads kit. 1 set of 4 pads, 2 front and 2 rear.

15 Outrigger plates kit (3.2 t). Set of 2 plates, allowing installation on floors with poor capacity or lower concrete thickness.

16 Sprinter/crafter support pads kit. 1 set with 6 pads, for Mercedes Sprinter and Volkswagen Crafter old and new series.