

THE WAY TO THE FUTURE

TOMORROW SERIES

Revised technology shaping a modern design. The 2-post lifts of the **Tomorrow Series** of Rotary raise your workshop immediately into the future. Tested for 20000 cycles and designed for TEq-Link online internet connection, your workshop is prepared for all innovations that are yet to come.

- + **RELIABLE & POWERFUL:** solid performance even under demanding conditions
- + **FLEXIBLE & VERSATILE:** three possible installation widths to satisfy any workshop needs and applicable to a wide range of different vehicles
- + **MODERN & PREMIUM:** a contemporary look meets the premium quality of components

SPMA32-X

The geometry of the arms was designed to lift anything from city to longwheelbase cars.

Capacity

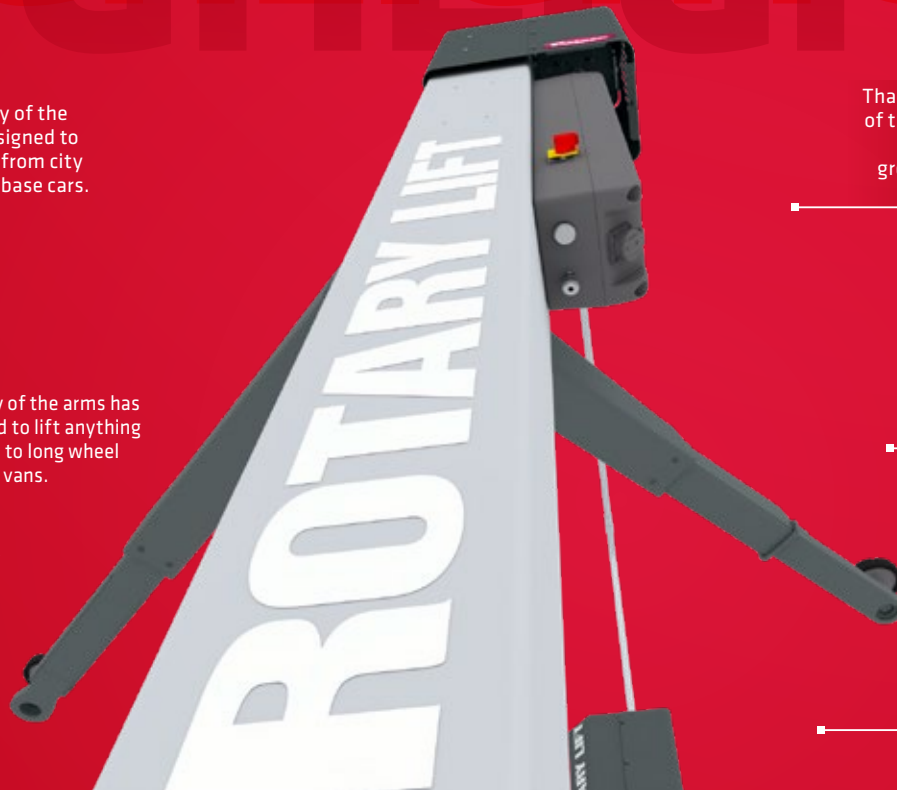
3.2 t

SPMA35-X

The geometry of the arms has been designed to lift anything from city cars to long wheel base medium vans.

Capacity

3.5 t



Thanks to the asymmetric design of the columns, the loading areas of the arms overlap, granting great flexibility and time saving when picking up the vehicle.

Electronic synchronization.

Quick nut replacing. New motor plate that allows to remove the screw from the front side of the column with the column standing.

Short 3-stage arms and long 2-stage arms with quick fit telescopic rubber pad.

Equipped with an acoustic anti toe trap system. Free from mechanical foot guards.

HIGHLIGHTS IN DETAIL



- 1** The vehicle can be placed backward without any worries about damaging the vehicle itself.
- 2** The operator has at his disposal a wide loading area, without the necessity of pushing and pulling the vehicle to find the right lifting position.
- 3** The lift is designed to maximise its layout while ensuring minimum space requirements.
- 4** Push buttons control (up/down) at an ergonomic height.
- 5** Premium quality of components.
 - + Aluminium pulley with cooling function.
 - + Long lasting bearings.
 - + 50% longer bronze load nut.
 - + Motors with reinforced and cooling casing.
 - + Solid automatic arm locking.
- 6** Energy kit on selected models.



QUICK AND EASY OPERATIONS

The work bay is free of obstacles and all operations can be performed safely and comfortably.



SMART AND FLEXIBLE INSTALLATION

Up to 20% improvement in installation time. With electronic synchronization, the installation and adjustment of the equalisation cable are avoided. The lifts can be installed in a flexible way thanks to three width-adjustable positions.

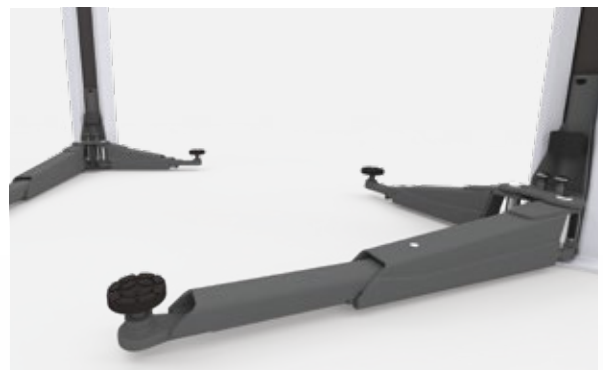


TOMORROW SERIES



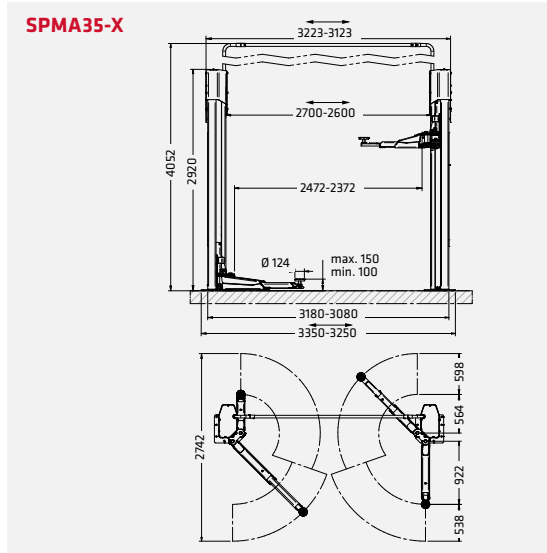
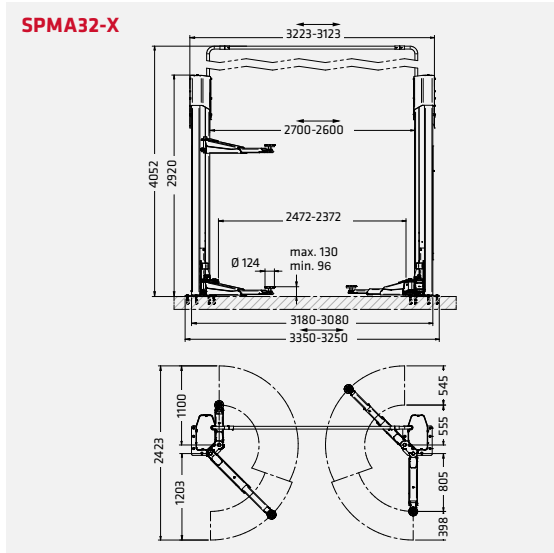
MINIMUM ROUTINE MAINTENANCE

The operating parts are designed for easy replacement or maintenance, reducing the cost of ownership and the risk of error on safety critical components.



GUARANTEED SAFETY AND QUALITY OVER TIME

The lift is equipped with premium components that guarantee durability and maximum safety for the operator. Internal carriages running on lubricated sliding guides, protected from the external environment, that ensures a longer life to the sliding elements.



Model	SPMA32-X	SPMA35-X
Capacity	3200 kg	3500 kg
Max. lifting height	2000 mm	2020 mm
Lifting time	42 s	42 s
Min. pad height	96 mm	100 mm
Max. pad height	130 mm	150 mm
Column height	2920 mm	2920 mm
Drive-through width	2372-2472 mm	2372-2472 mm
Min. ceiling height	4150 mm	4150 mm
Arm layout	asymmetrical	asymmetrical
Min. front arm length	555 mm	564 mm
Max. front arm length	1100 mm	1162 mm
Min. rear arm length	805 mm	922 mm
Max. rear arm length	1200 mm	1460 mm
Driving power	2x2.6 kW	2x2.6 kW
Width	3250-3350 mm	3250-3350 mm
Height	4052 mm	4052 mm

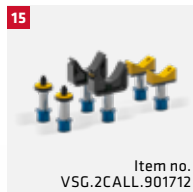
	Item no.	Double control panel + Energy kit	TEq-Link	Power supply
SPMA32-X	ROT.SP32X.198549		✓	400 V 50 Hz
SPMA32-XP	ROT.SP32X.198723	✓	✓	400 V 50 Hz
SPMA35-X	ROT.SP35X.199263		✓	400 V 50 Hz
SPMA35-XE	ROT.SP35X.198990	✓	✓	400 V 50 Hz

TEq-Link
connected workshop

- Workflow management
- Data management and statistic
- Job booking
- Real time diagnostic
- Preventive maintenance



ACCESSORIES



- 1** Kit containing 8 spacers for pads. 4 spacers x H 89 mm + 4 spacers x H 127 mm, 2 spacer support brackets.
- 2** Kit containing 4 spacers for pads. 4 spacers x H 200 mm, 2 spacer support brackets.
- 3** Kit with frame adapters. 1 set with 4 pieces.
- 4** Kit with U-shaped pads. 1 set with 4 pads.
- 5** Kit with pads for TESLA vehicles. 1 set with 4 pads.
- 6** Kit with pads for Fiat 500E, 500 ABARTH. 1 set with 4 pads.
- 7** Kit with pads for MEB platform. 1 set with 4 pads.
- 8** Outrigger plates kit (3.5 t). 1 set of 2 plates, allowing installation on floors with poor capacity or lower concrete thickness
- 9** Kit for increasing overhead cable passage height. Up to + 1.5 m.
- 10** Eyebolt for handling columns (3.2 t - 3.5 t - 4.2 t). It facilitates installation of the lift, can be used again for other installations.
- 11** Vehicles lift platforms kit. 1 set with 4 ramps, ramp height 60 mm.
- 12** Kit of stands for alignment. 1 set with 4 stands.
- 13** Magnetic tray. 1 set with 2 trays.
- 14** Mercedes G class support pads kit. 1 set of 4 pads.
- 15** Sprinter/crafter support pads kit. 1 set with 6 pads, for Mercedes Sprinter and Volkswagen Crafter old and new series.
- 16** Ducato/boxer/jumper support pads kit. 1 set of 4 pads, 2 front and 2 rear.
- 17** Outrigger plates kit (3.2 t). Set of 2 plates, allowing installation on floors with poor capacity or lower concrete thickness.
- 18** Holder for impact wrench. Ergonomic tool support.