

3D WHEEL ALIGNER

THE NEW POWER OF 3D ALIGNERS

The **SPEED32** series is the second generation of Butler 3D wheel aligners. Its innovative system of totally wireless 3D cameras with Bluetooth transmission can be used on different types of lifts thanks to its automatic flatness compensation.

Its compact size also makes it suitable for those workshops having limited space.

- + Razor-sharp accuracy: measuring heads powered by HQ resolution
- + Manoeuvrable design: cabinet with flexibility in movement and extremely small and lightweight measuring heads
- + Smart technology: intuitive software, always connected

System with measuring heads directly connected to the lift, in this way eliminating the space occupied by the tower in front of the lift.

Every measuring head camera has an LCD display for the basic information and five keys for remote software navigation; remote control function. LED repeaters that permit recording without having to view the monitor.

Compact and extremely lightweight measuring heads. 5MP resolution for measurement and compensation of the lifting platform level, also on an irregular surface.

Management software and display in Windows environment, always connected with the Wi-fi USB flash drive. Simple and intuitive thanks to high resolution graphics.

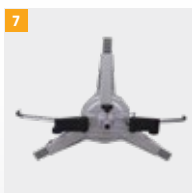


International data bank with vehicle technical data sheets and possibility to create a customer data bank for adjustment recording operations.

Set of 4 self-centring 3-point clamps, without compensation, to achieve quick and precise measurement. Equipped with a rapid movement system and ABS claws; no metal-metal contact.

The 3D targets installed on the clamps are extremely lightweight, are maintenance-free and have no electronic components. All angles of the vehicle are measured in only a few seconds without any operator intervention.

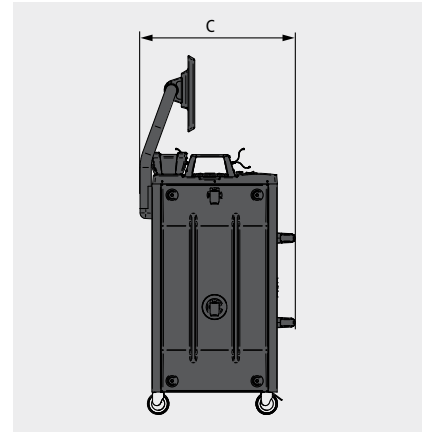
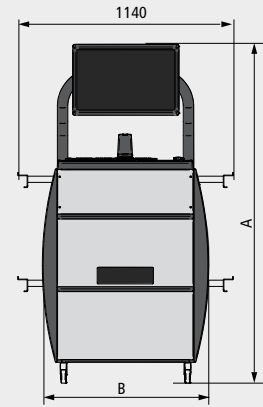
HIGHLIGHTS IN DETAIL



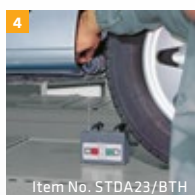
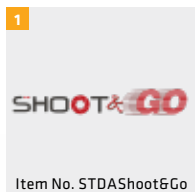
- 1 Built-in rubber protection.
- 2 Built-in handle with plastic protection.
- 3 Rapid pivoting coupling system to the lift to prevent damage in the case of obstacles in descent.
- 4 Battery with quick release system.
- 5 Turn table with compensating elements for rolling compensation.
- 6 Wi-fi USB flash drive included.
- 7 Set of 4 self-centring 3-point clamps, without compensation.

Model	SPEED32HPR.3
Partial toe	+/- 20°
Total toe	+/- 20°
Cornering toe	+/- 20°
Camber	+/- 10°
King pin (SAI)	+/- 18°
Setback	+/- 5°
Setback front axle	+/- 5°
Geometric centre line	+/- 5°
Thrust angle	+/- 5°
Max. steering angle	+/- 50°
Tyre size min. - max.	8" - 24"
Max. wheel diameter	910 mm
Max. wheelbase	4500 mm
Screen	TFT
Screen size	22"
Network compatible	yes
Data transmission type	cordless
Sensor count	4
Measuring system	3D
Load capacity for turn table	1000 kg
Power supply	776-230 V 50 Hz
B Width	1020 mm
C Depth	630 mm
A Height	1705 mm
Weight	95 kg
Article number (RAL3002)	812782
Article number (RAL7016)	812783

SPEED32HPR.3



ACCESSORIES



- 1 Shoot & Go" online database (option).
- 2 Driver assistance system activation (option).
- 3 Quick control stand for mobile use (option).
- 4 Level and height measurement (option).
- 5 Remote display app on a mobile device (option).
- 6 Plastic rim cover (VW Touareg).