

# PISTON COMPRESSOR

**10 / 15 bar, oil-lubricated, on galvanized compressed air reservoir**  
 TWIN piston compressors from BLITZ offer performance and first-class workmanship at an attractive price for all compressed air users with high standards and daily application needs. In order to meet all installation requirements, there are stationary TWIN piston compressors with horizontal and vertical

compressed air reservoir (perfect solution for small rooms and workshops). For areas particularly sensitive to noise we provide designs with sound reduction hoods.

- + Premium piston compressors – made by Blitz
- + Longevity thanks to full galvanizing equipped as standard
- + Energy savings of up to 25 % via 2-stage compression
- + Perfect for workshops

BLITZ TWIN piston compressors are manufactured to a high standard of quality. This includes the use of IP 54 rated electric motors with ISO F winding. Sufficient sizing guarantees power reserves in any case.

The standard full galvanizing of the pressure vessel significantly increases the longevity and thus the value of the TWIN piston compressor.

Powerful compressed air aftercoolers provide low compressed air outlet temperatures for all TWIN piston compressors as standard. The effort for further compressed air preparation is thus greatly reduced.

TWIN piston compressors are almost consistently manufactured in an elaborate 2-stage design. Low thermal and mechanical loads lead to a much better efficiency overall and an energy saving of about 25 %.

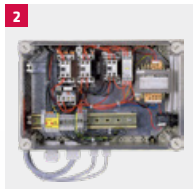
Pressure vessel with hand hole (manufactured according to AD2000): The service-friendly design of the TWIN pressure vessel with integrated hand hole minimizes the effort of recurring TÜV (technical inspection agency) inspections and facilitates its cleaning.

Illustration shows: LOGOS 920/500

LOGOS V / WORKS V:  
 Space-saving on upright pressure vessel

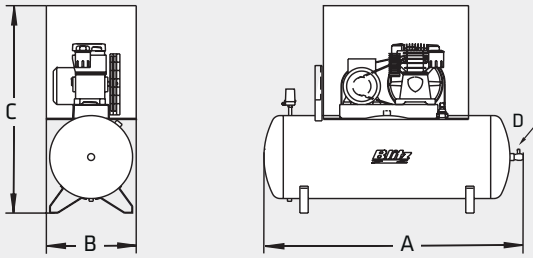


## HIGHLIGHTS IN DETAIL

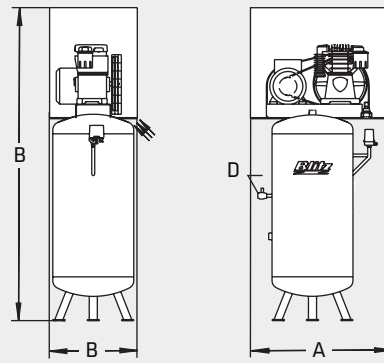


- 1** The low speed and the large swept volume of the TWIN piston compressors (on average around 1000 rpm for V-belt-driven systems) guarantee a long service life, low wear, maximum smoothness and high efficiency.
- 2** Star-delta connection fully wired (standard as of 5.5 kW). Due to the assembly and functional testing in the factory the otherwise customary costs for on-site installation are completely eliminated. A big advantage over loosely supplied "control kits".
- 3** Interior views: The "heart" of each TWIN compressor in cross-section.
- 4** Maintenance-free reed valves: The combination valve plates for 2-stage compression excel through their long service life and energy-saving efficiency.

## WORKS H/LOGOS H



## WORKS V/LOGOS V



Model	LOGOS H				
Operating pressure (bar)	10	10	10	10	10
<b>D</b> Compressed air connection	1/2	1/2	3/4	1/2	3/4
Cylinders/steps	2/2	2/2	2/2	2/2	2/2
Suction capacity (l/min)	530	650	650	920	920
Delivery rate effective (l/min) <sup>(1)</sup>	410	495	495	655	655
Pressure vessel contents (L)	270	270	500	270	500
Engine power (kW)	3	4	4	5,5	5,5
Speed (rpm)	1140	1000	1000	1090	1090
Noise level (db A)* <sup>(2)</sup>	78	75	76	76	76
Electrical connection (V/Hz)	400/50	400/50	400/50	400/50	400/50
<b>A</b> Width (mm)	1800	1800	2080	2080	1970
<b>B</b> Depth (mm)	600	600	710	710	590
<b>C</b> Height (mm)	1150	1230	1300	1300	1300
Weight (kg)	150	160	230	230	255

Model	WORKS H					
Operating pressure (bar)	15	15	15	15	15	15
<b>D</b> Compressed air connection	1/2	1/2	3/4	1/2	3/4	3/4
Cylinders/steps	2/2	2/2	2/2	2/2	2/2	2/2
Suction capacity (l/min)	490	530	530	650	650	780
Delivery rate effective (l/min) <sup>(1)</sup>	370	405	405	490	490	605
Pressure vessel contents (L)	300	300	500	300	500	500
Engine power (kW)	3	4	4	5,5	5,5	7,5
Speed (rpm)	1000	800	800	785	785	980
Noise level (db A)* <sup>(2)</sup>	76	76	75	75	75	76
Electrical connection (V/Hz)	400/50	400/50	400/50	400/50	400/50	400/50
<b>A</b> Width (mm)	1800	1800	2080	1800	1970	2080
<b>B</b> Depth (mm)	600	600	710	600	590	710
<b>C</b> Height (mm)	1150	1230	1300	1230	1300	1300
Weight (kg)	150	160	230	165	260	235

\* without noise reduction hood  
\*\* with noise reduction hood

1) Real quantity delivered according to VDMA 4362  
2) Sound pressure level according to ISO 2151:2009, tolerance +/- 3dB(A)

# ACCESSORIES



**1** Refrigerant type dryer - for effective preparation of the compressed air. Dry compressed air without corrosive water content is the foundation for an economical compressed air station.

**2** Filter - effectively releases the compressed air from solid particles. A variety of filter combinations allow using the compressor in many different application environments.

In order to meet all installation requirements, there are stationary TWIN piston compressors with horizontal and vertical compressed air reservoir. A vertical installed

pressure vessel makes them perfect for small rooms and workshops. For areas that are particularly sensitive to noise we provide designs with sound reduction hoods.



**WORKS H BOX/LOGOS H BOX WITH NOISE REDUCTION HOOD** - The logical addition to effective noise reduction.

#### LOGOS V

10	10	10	10	10
3/4	3/4	3/4	3/4	3/4
2/2	2/2	2/2	2/2	2/2
530	650	650	920	920
410	495	495	655	655
270	270	500	270	500
3	4	4	5,5	5,5
1140	1000	1000	1090	1090
76	76	76	75	75
400/50	400/50	400/50	400/50	400/50
1200	1200	1200	1200	1200
800	800	900	800	900
2010	2010	2100	2010	2100
155	160	230	1645	230

#### LOGOS H BOX

10
1/2
2/2
650
495
270
4
1000
69**
400/50
1630
700
1520
185

#### WORKS V

15	15	15	15	15	15
3/4	3/4	3/4	3/4	3/4	3/4
2/2	2/2	2/2	2/2	2/2	2/2
490	530	530	650	650	780
370	405	405	490	490	605
270	270	500	270	500	500
3	4	4	5,5	5,5	7,5
850	800	800	775	775	920
76	76	75	75	75	76
400/50	400/50	400/50	400/50	400/50	400/50
1200	1200	2080	1200	1200	1200
800	800	710	800	900	900
2010	2010	1300	2010	2100	2100
155	160	230	165	300	300

#### WORKS H BOX

15
1/2
2/2
530
405
270
4
800
69**
400/50
1630
700
1510
185



**3** Oil water separator - the cost-effective preparation of condensate. Only the oil fractions need to be disposed of, whereas the water may be drained into the sewage system.

**4** Condensation drain - in an electronic, level controlled design for fully automatic dewatering of compressed air reservoirs.

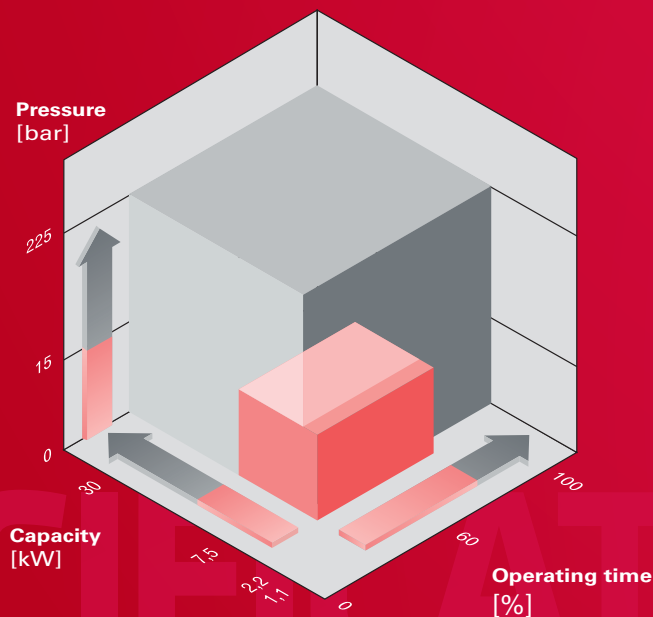
# HIGH POWER FOR EXACTING DEMANDS IN THE WORKSHOP AREA



The powerful compressor for compressed air users with high standards and daily application needs. The wide range of applications of the TWIN piston compressors is the reason for the large variety of products. TWIN piston compressors come in oil-lubricated and oil-free versions.



The high-performance compressor - designed for highest industrial demands. VERSA piston compressors from BLITZ are available in oil-lubricated and oil-free versions as well as high-pressure and after-pressure compressors. In this respect, our separate brochures provide comprehensive information.



## FOR NEARLY 100 YEARS ...

### A SYNONYM FOR COMPRESSED AIR

The construction of compressors has a long tradition at Blitz. With nearly 100 years of experience in compressed air and highly dedicated employees, we focus on designing and implementing new compressor and compressed-air conditioning technologies.

Innovative ideas, professional implementation and convincing product quality have established the outstanding reputation of Blitz compressors and predominantly ensure one goal: Satisfied customers.

The right offer for your needs: Based on your compressed air requirements, Blitz compressors assemble the right installations and systems in the best possible combination for you.

