

MOBILE COLUMN LIFT

WIRELESS, BATTERY OPERATIONS

The mobile wheel gripper systems by Blitz are a perfect synthesis of flexibility and stability. Free areas – make optimal use, both in the workshop as well as outdoors.

- + Double overload protection ensures security
- + Intuitive Control
- + Faster change of position possible due to forklifts

The modular design allows the additional expansion from 2 to 4, 6 or 8 lifting units.

Double overload protection due to infinitely adjustable hydraulic safety device (shutoff valve) and self-locking mechanical safety catch.

Wireless communication of the individual lifting units takes place on the basis of IEEE 802.15.4 standards.

Integrated charging device permits charging while operating the HYDROLIFT. One hour of quick-charging allows an additional complete lifting / lowering cycle.

Hydro-Protect: The lifting cylinder is protected against external influences in the lifting carriage. The motor and the hydraulic power units are completely covered.



Large-scale production in our ISO-certified production facilities allows consistently high manufacturing quality.

Easy-to-understand symbols and clearly arranged push buttons simplify operation. Software updates are carried out via SD card.

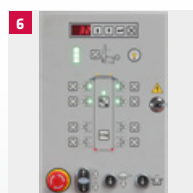
Every lifting unit is equipped with an emergency stop button.

Easy Drive: Low-friction rollers make setting up the workplace literally a breeze.

No master column. All functions are available on every wheel gripper column.

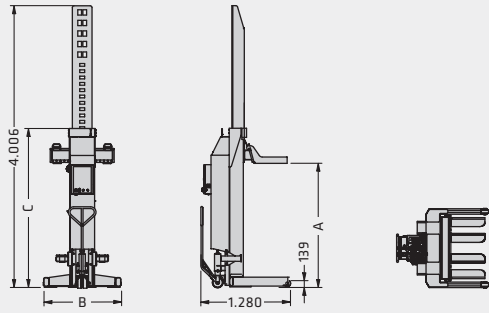
Synchronization control guarantees absolute synchronization of all lifting units – even with uneven load distribution.

HIGHLIGHTS IN DETAIL



- 1 The VARIO fork ensures the accommodation of different tire sizes without additional adapters: from 570–1.300 mm – and, of course, Super-Single.
- 2 Generously-sized batteries allow up to 15 lifting and lowering movements with a full load.
- 3 Movable self-deflecting steering gear with integrated locking brake prevents the unintentional rolling away of the lifting unit.
- 4 Forklift adapters allow quick and easy transport of the wheel grippers in the workshop.
- 5 The unique FS profile offers optimum protection of the wheel hub.
- 6 Intuitive control with clearly arranged operating elements.

HydroLift S3 6.2 / 7.5



Model	HydroLift S3							
	2-6.2	4-6.2	6-6.2	8-6.2	2-7.5	4-7.5	6-7.5	8-7.5
Capacity	2 x 6.2 t	4 x 6.2 t	6 x 6.2 t	8 x 6.2 t	2 x 7.5 t	4 x 7.5 t	6 x 7.5 t	8 x 7.5 t
Tyre size	570-1.300 mm	570-1.300 mm	570-1.300 mm	570-1.300 mm	570-1.300 mm	570-1.300 mm	570-1.300 mm	570-1.300 mm
A Stroke	1.753 mm	1.753 mm	1.753 mm	1.753 mm	1.753 mm	1.753 mm	1.753 mm	1.753 mm
Lifting time	75 s	75 s	75 s	75 s	75 s	75 s	75 s	75 s
Lowering time	70 s	70 s	70 s	70 s	70 s	70 s	70 s	70 s
Lift cycles fully loaded	15	15	15	15	15	15	15	15
Driving power	3 kW	3 kW	3 kW	3 kW	3 kW	3 kW	3 kW	3 kW
B Width	1.107 mm	1.107 mm	1.107 mm	1.107 mm	1.107 mm	1.107 mm	1.107 mm	1.107 mm
C Height	2.260 mm	2.260 mm	2.260 mm	2.260 mm	2.260 mm	2.260 mm	2.260 mm	2.260 mm
Weight per column	620 kg	620 kg	620 kg	620 kg	620 kg	620 kg	620 kg	620 kg

TECHNICAL SPECIFICATIONS

ACCESSORIES



- 1** Traverse, HydroLift king pin receiving means, load capacity 12.4 t
- 2** Traverse, HydroLift, load capacity 12.4 t
- 3** Protection cover, splash water protection for HydroLift
- 4** Front and rear adapters for lifting various tractors, including various receiving means - agricultural receiving means for HydroLift, load capacity 16.4 t