

# WHEEL BALANCER

## COMPUTERIZED MONITOR WHEEL BALANCER

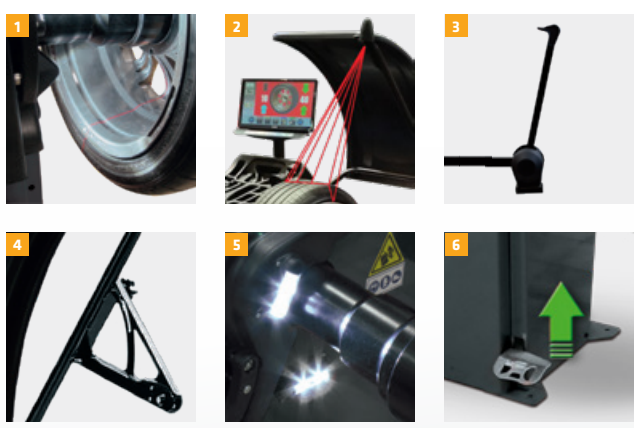
**Librak380PWS Pro** Touchscreen, laser pointer H6 and laser H12, cone set, cone for SUV, passenger car, rim diameter: 10" - 30".

**Librak380PWS Premium** Ultrasonic runout measuring device, touchscreen, laser pointer H6 and laser H12, cone set, cone for SUV, passenger car, rim diameter: 10" - 30".

**+ 19" Touchscreen monitor with additional keyboard**

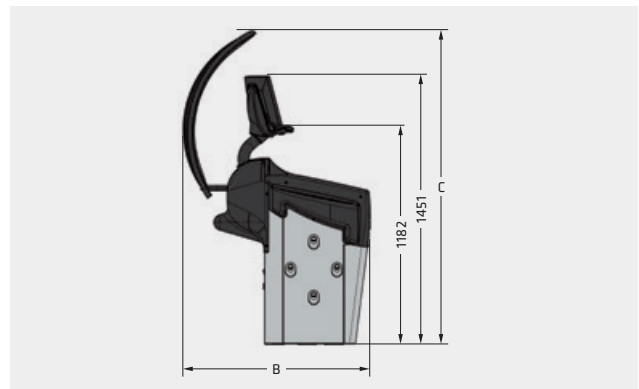
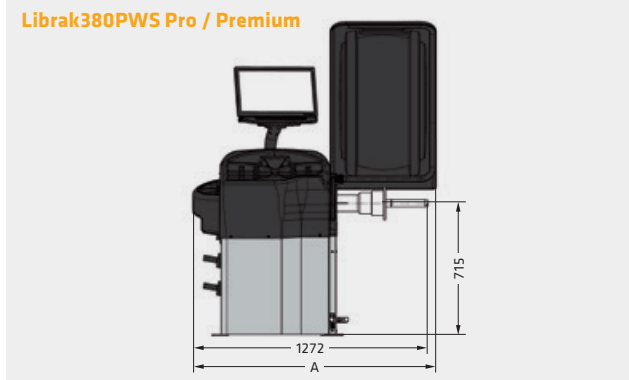


## HIGHLIGHTS IN DETAIL



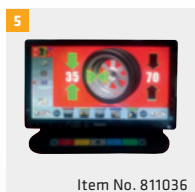
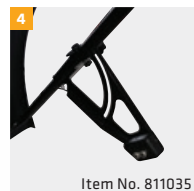
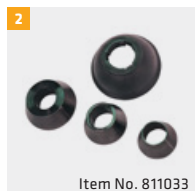
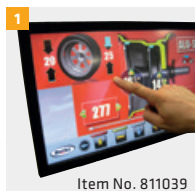
- 1** Indicates the weight positioning with a laser pointer at 6 o'clock (for adhesive weights)
- 2** Laser indication at 12 o'clock for positioning of clip on weights with dynamic program
- 3** Measuring of rim runout with 2D measuring arm (Librak380PWS Pro)
- 4** Measuring of rim runout with ultrasonic sensor (Librak380PWS Premium)
- 5** LED light
- 6** Computer-controlled wheel balancer with pneumatic clamping device

- GENERAL ACCESSORY PARTS ON REQUEST**
- + Ultrasonic runout measuring device (Librak380PWS Pro)
  - + Wheel lift
  - + Precision flange



| Model               | Librak380PWS Pro | Librak380PWS Premium |
|---------------------|------------------|----------------------|
| Measuring speed     | < 100 U/min      | < 100 U/min          |
| Measuring time      | 6 s              | 6 s                  |
| Balancing accuracy  | +/- 1 g          | +/- 1 g              |
| Rim width           | 1.5" - 22"       | 1.5" - 22"           |
| Rim diameter        | 10" - 30"        | 10" - 30"            |
| Wheel diameter max. | 44"              | 44"                  |
| Wheel weight max.   | 70 kg            | 70 kg                |
| Mains frequency     | 50/60 Hz         | 50/60 Hz             |
| Mains voltage (AC)  | 110 - 230 V      | 110 - 230 V          |
| Phases              | 1                | 1                    |
| <b>A</b> Length     | 1316 mm          | 1316 mm              |
| <b>B</b> Width      | 1009 mm          | 1009 mm              |
| <b>C</b> Height     | 1697 mm          | 1697 mm              |
| Weight              | 140 kg           | 140 kg               |

## SCOPE OF DELIVERY



- 1 Touchscreen
- 2 Passenger car cone set Ø 44 - 112 mm
- 3 SUV cone Ø 95 - 132 mm
- 4 Sonar for width acquisition
- 5 Keyboard for touchscreen
- 6 Laser H12
- 7 Ultrasonic runout measuring device (Librak380PWS Premium)