

WHEEL BALANCER

ELECTRONIC MONITOR WHEEL BALANCER

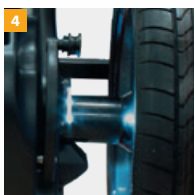
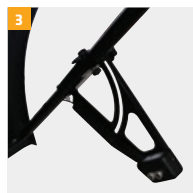
Librak355PWS Pro Cone set, cone for SUV, passenger car, rim diameter: 10" - 30".

Librak355PWS Premium Touchscreen, Laser line H6, cone set, cone for SUV, passenger car, rim diameter: 10" - 30".

+ 19" Touchscreen monitor
(Librak355PWS Premium)



HIGHLIGHTS IN DETAIL



1 Indicates the weight positioning with a laser line at 6 o'clock (for adhesive weights)

2 Pressing a button moves from the outside to the inside unbalance position (Librak-355PWS Pro)

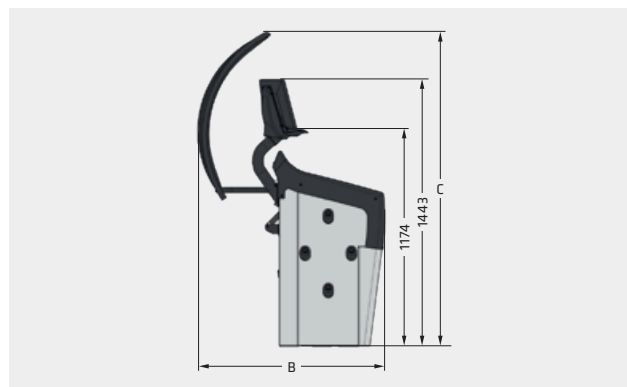
3 Automatic wheel width sonar for measuring the wheel width

4 LED light

5 Electronic wheel balancer with pneumatic clamping device

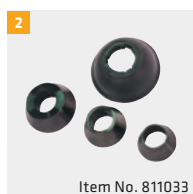
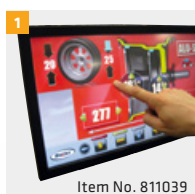
GENERAL ACCESSORY PARTS ON REQUEST

- + Wheel lift
- + Precision flange
- + Touchscreen monitor (Librak355PWS Pro)



Model	Librak355PWS Pro	Librak355PWS Premium
Measuring speed	< 100 U/min	< 100 U/min
Measuring time	6 s	6 s
Balancing accuracy	+/- 1 g	+/- 1 g
Rim width	1.5" - 22"	1.5" - 22"
Rim diameter	10" - 30"	10" - 30"
Wheel diameter max.	44"	44"
Wheel weight max.	70 kg	70 kg
Mains frequency	50/60 Hz	50/60 Hz
Mains voltage (AC)	110 - 230 V	110 - 230 V
Phases	1	1
A Length	1188 mm	1188 mm
B Width	1009 mm	1009 mm
C Height	1697 mm	1697 mm
Weight	150 kg	150 kg

SCOPE OF DELIVERY



- 1 Touchscreen (Librak355PWS Premium)
- 2 Passenger car cone set Ø 44 - 112 mm
- 3 SUV cone Ø 95 - 132 mm
- 4 Sonar for width acquisition

