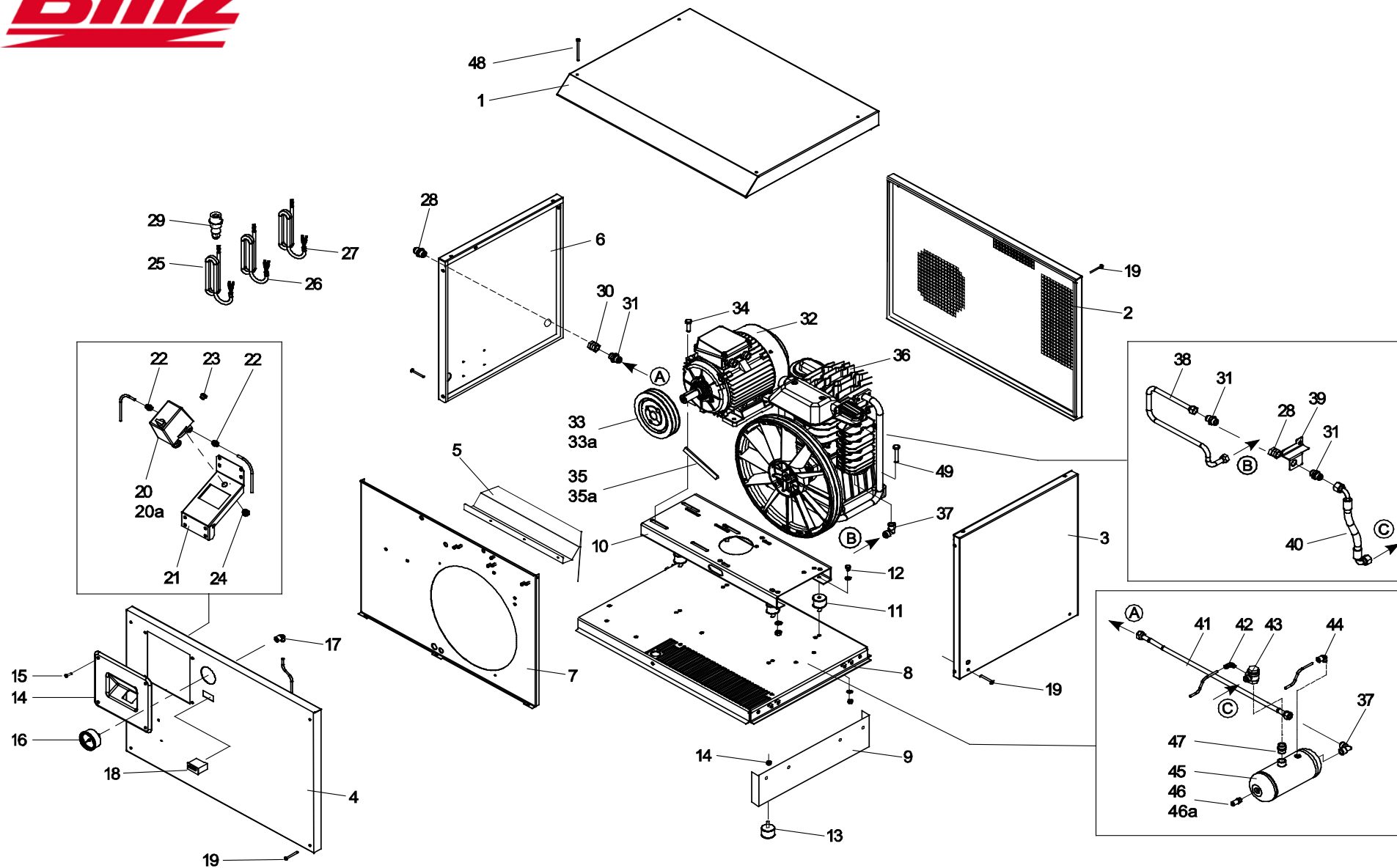


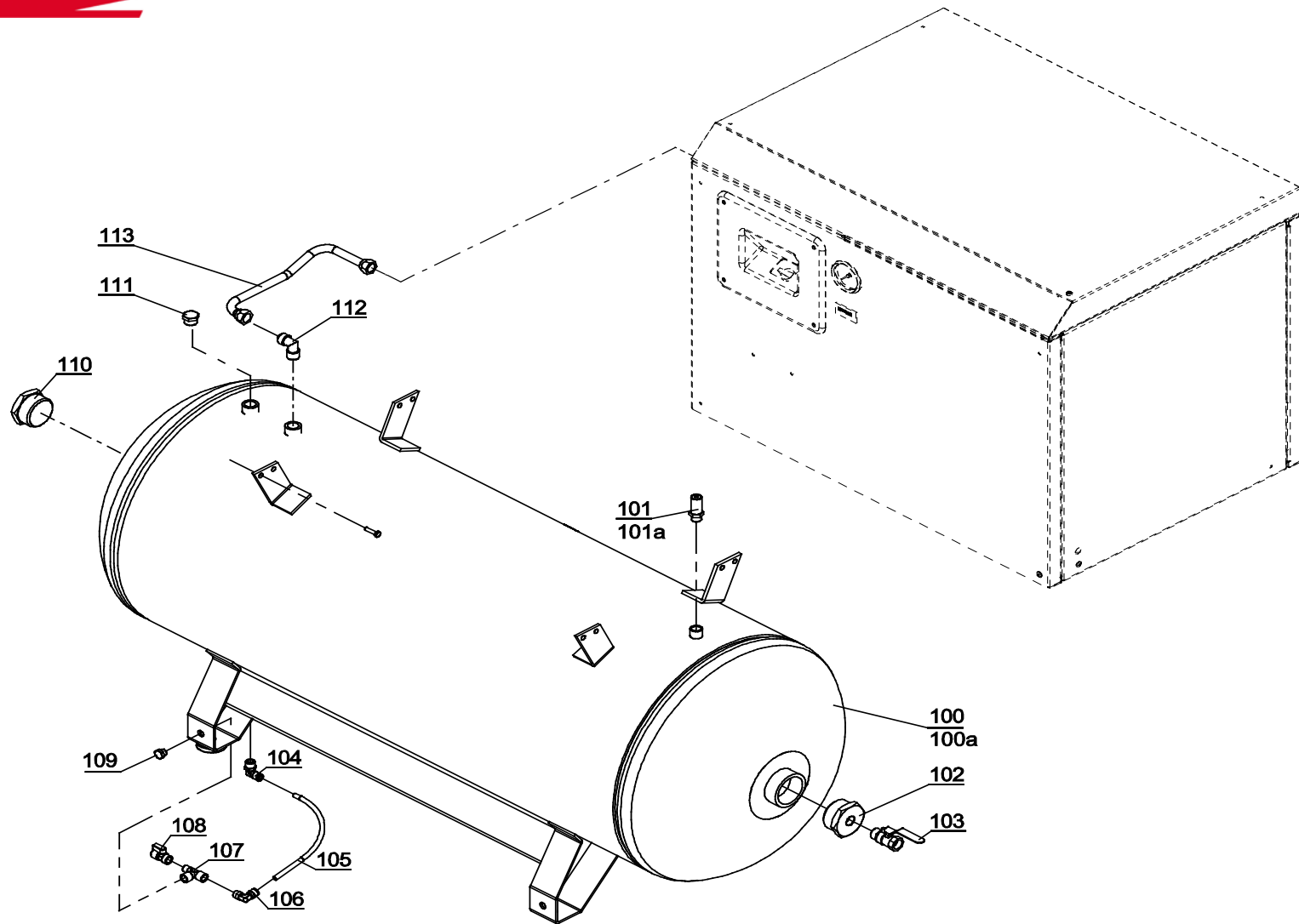
Blitz®



Logos 650/270 H-Box
Works 530/270H-Box

REF. RIF.	CODE CODICE	QT	DESCRIPTION / BESCHREIBUNG / DESCRIZIONE	REF. RIF.	CODE CODICE	QT	DESCRIPTION / BESCHREIBUNG / DESCRIZIONE
1	x	1	Panel	50	7234470000		Rilsan hose complete kit Schlauch Kit
2	x	1	Panel	51	7156270000		Panels kit Panele kit
3	x	1	Panel				
4	x	1	Panel				
5	5162860008	1	Air conveyor				
6	x	1	Panel				
7	5167350008	1	Inside panel				
8	5167360008	1	Base				
9	5167430008	2	Lower suport				
10	5167370008	1	Motor Base				
11	7364420000	4	Shock absorber				
12	7011360000	4	Screw				
13	7360400000	4	Rubber				
14	7020070000	4	Nut				
14	7155631000	1	Instruments support				
15	7014420000	6	Screw				
16	7111030000	1	Pressure gauge				
17	7080890000	1	Joint				
18	7566190000	1	Hour meter				
19	7014450000	12	Screw				
20	7251211000	1	Pressure switch				
20a	7251231000	1	Pressure switch				
21	7511530000	1	Support				
22	7084220000	2	Joint				
23	7090080000	1	Plug				
24	7016070000	1	Plug				
25	7328700000	1	Infeed cable				
26	7328690000	1	Pressure switch Motor cable				
27	7326650000	1	Hour meter cable				
28	7085700000	2	Joint				
29	7329790000	1	Electric plug (3 poles)				
31	7081311150	3	Joint				
32	7380850000	1	Motor				
33	7406600000	1	Pulley				
33a	7408550000	1	Pulley				
34	7011170000	4	Screw				
35	7371590000	1	Belt				
35a	7371320000	1	Belt				
36	3021130000	1	Pump unit				
37	7080160000	1	Joint				
38	7231850000	1	Infeed hose				
39	7517970000	1	Hose Support				
40	7236710000	1	Infeed Rubber hose				
41	7234530000	1	Infeed hose				
42	7080780000	1	Joint				
43	7190150000	1	Non return valve				
44	7080890000	1	Joint				
45	5156280008	1	Tank 2 lt				
46	7192010000	1	Safety valve 1/4				
46a	7192340000	1	Safety valve 1/4				
47	7081311150	1	Joint				
48	7012240000	10	Screw				
49	7011120000	4	Screw				

VALID FROM 12/2014 - REV.00



Logos 650/270 H-Box
Works 530/270H-Box

