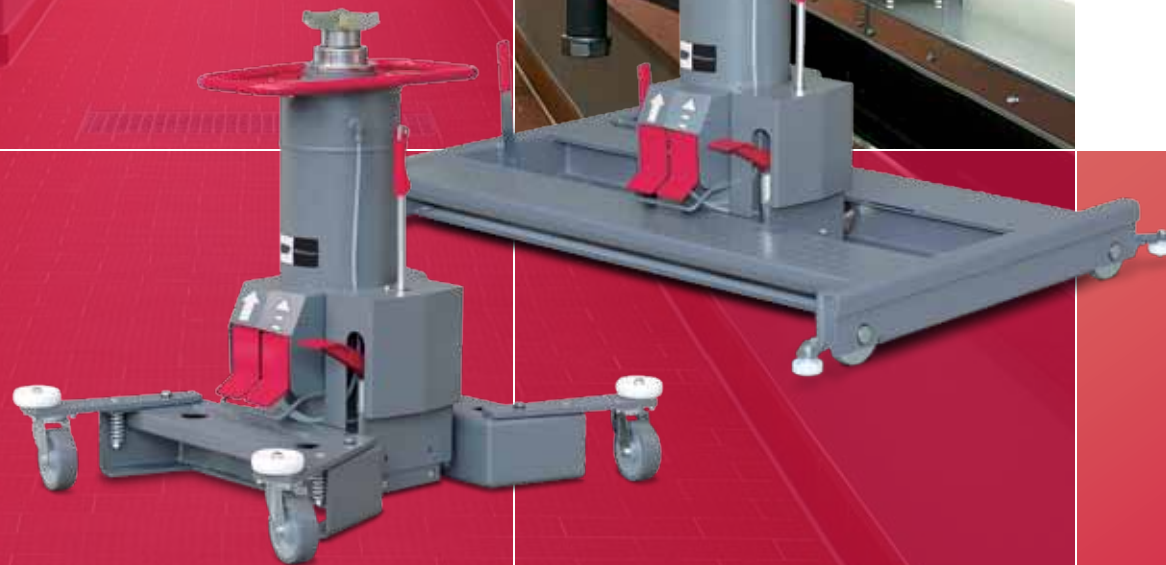


BLITZ PIT JACK

FLOOR-RUNNING



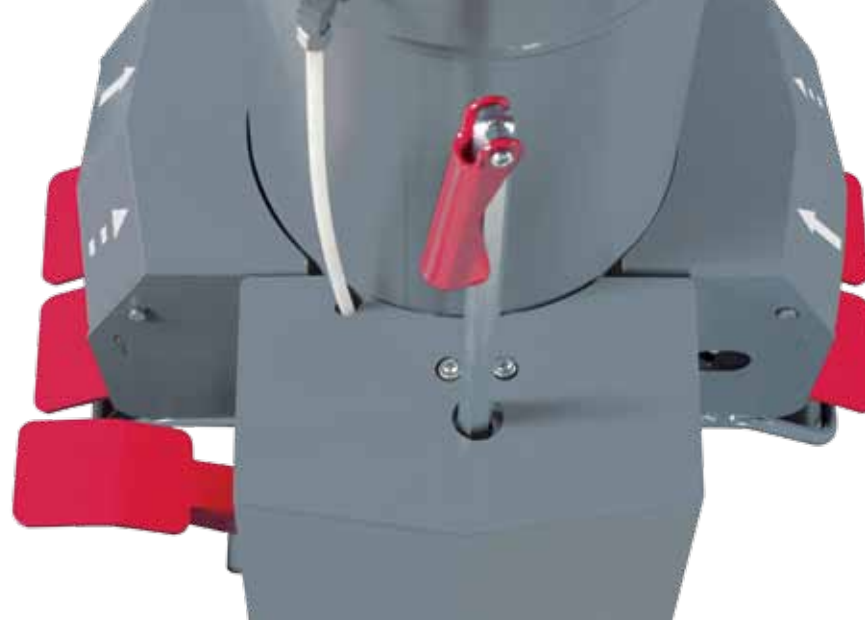
Blitz[®]

SPEED & ERGONOMICS

WE AT BLITZ LOOK AT THE WHOLE PICTURE. LIFT SPEED ALONE IS NOT EVERYTHING. OPERATORS CAN ONLY WORK EFFICIENTLY AND OPERATING COSTS CAN ONLY BE REDUCED IF THIS IS COUPLED WITH A WELL-CONCEIVED AND, ABOVE ALL, ERGONOMIC OPERATING CONCEPT.

INTEGRATED TOOLBOXES bring the tool to the mechanic and not vice versa.





PATENTED TWO-SIDED OPERATION
Have you ever thought about how often you need to change sides to be able to operate the jack? Blitz has the answer. We have launched the patented two-sided operation. This reduces the usual time needed to pick up a vehicle to an absolute minimum – you no longer even have to leave the pit.

DOUBLE ACTING AIR MOTOR The need for speed – combined with an optimised hydraulic block, the exclusive and entirely newly developed air motor increases the lift speed by 30%.

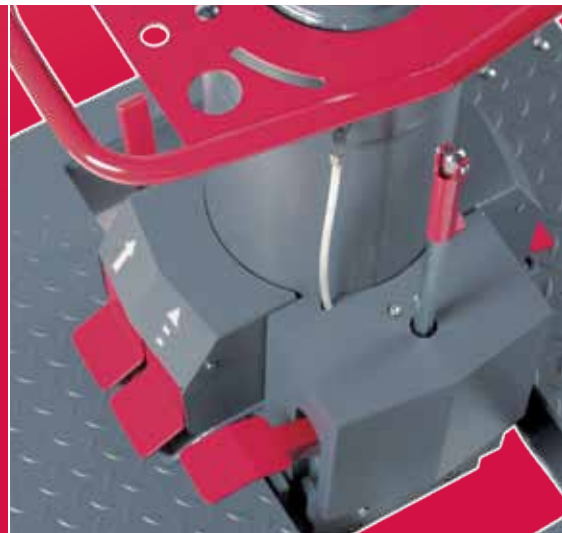
ERGONOMIC COLOUR CONCEPT We at Blitz are seeing red, at least when it comes to operating our pit jack. All controls are colour-coded red and thus effectively eliminate operator errors.

INTEGRATED HAND BRAKE The lifting unit as well as the carriage is fitted with a hand brake. Working on a car thus becomes easier, and above all, safer.

ERGONOMIC CARRIAGES The new design carriage bring the mechanics closer to the jack and thus closer to the vehicle.

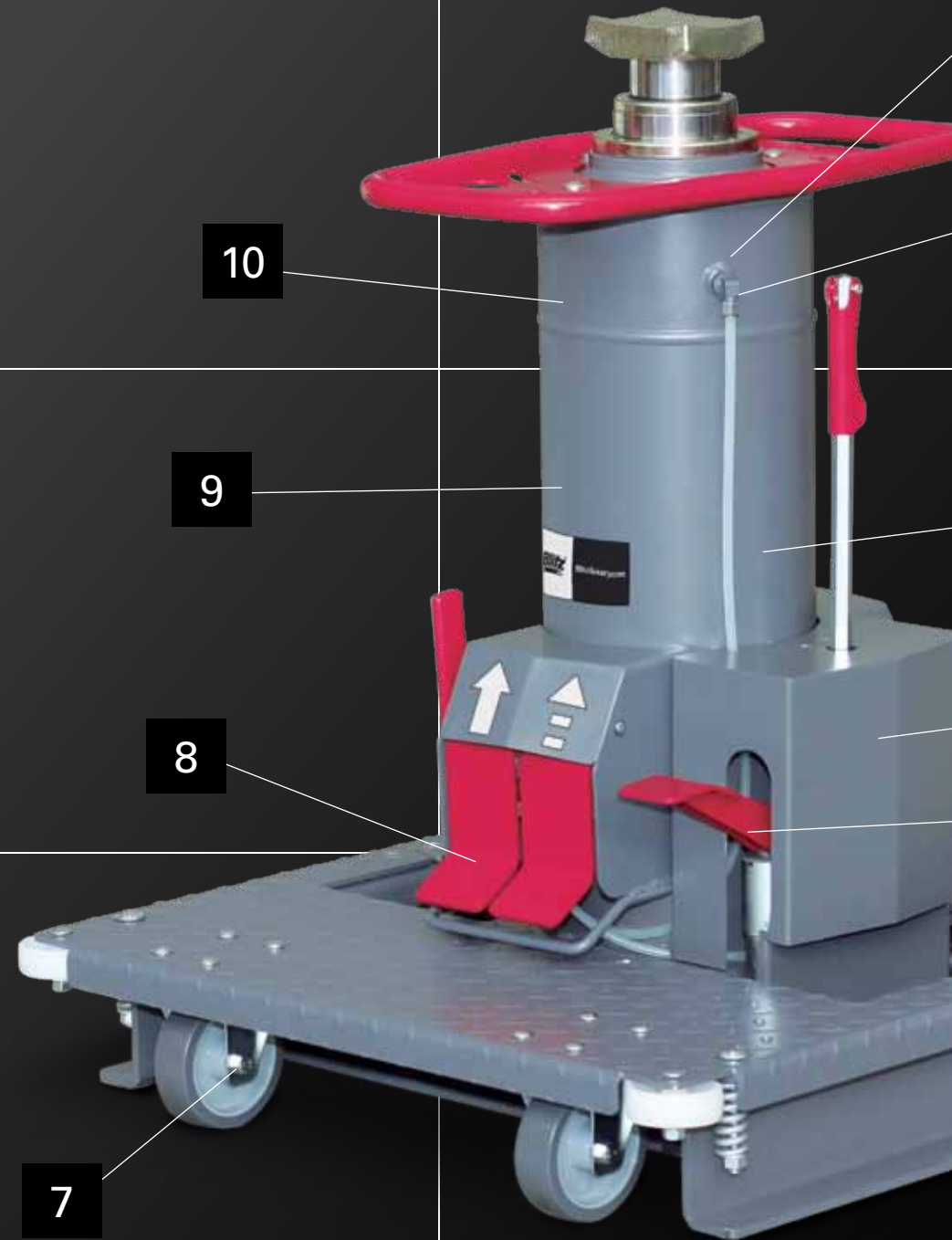


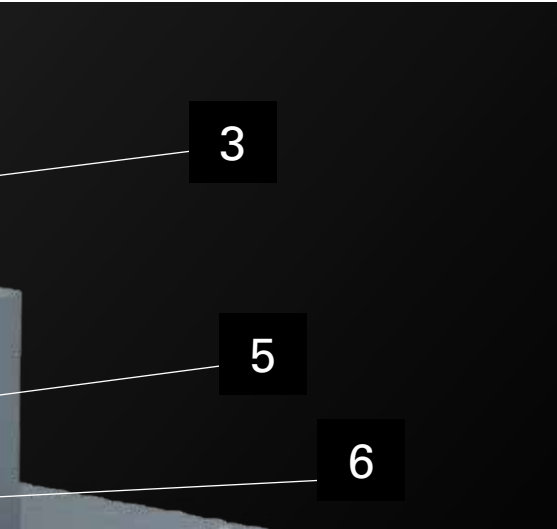
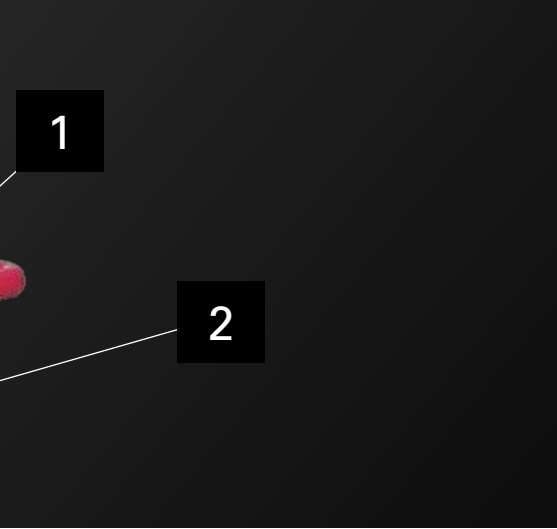
¹ Registered patent



FEATURES

FLOOR RUNNING PIT JACKS FROM BLITZ CAN BE USED IN MANY DIFFERENT WAYS. THE JACKS, WHICH RUN ON RAILS, OFFER A VERY HIGH DEGREE OF MOBILITY WITHIN THE PIT. OUR FULLY MOVABLE JACKS ARE BEST USED IF SEVERAL PITS ARE LINKED BETWEEN EACH OTHER, FOR EXAMPLE BY A TUNNEL. WHEN NOT IN USE, THESE MODELS CAN ALSO BE EASILY STORED IN A STORAGE SPACE TO THE SIDE.





■ **1. SLEEK DESIGN** By utilising the lateral adjustability of the lift to the full, the flush to the floor design creates maximum freedom of movement. People can move through quickly at any time – even in exceptional situations. ■ **2. HYDRAULIC-PNEUMATIC AUTOMATIC RETURN** enables the piston to return quickly with or without load. In contrast to conventional types of pit jacks, the piston is, in effect, “pulled” back to its default position. ■ **3. 2-LAYER SURFACE FINISH** Full surface finish for perfect corrosion protection. ■ **4. FULLY COVERED AIR MOTOR** makes cleaning easier and reduces the risk of injury. ■ **5. HYDRAULIC-PNEUMATIC QUICK LIFT** Enables the pistons to move rapidly up to the pick-up point. ■ **6. VARIABLE PEDAL-OPERATED PRECISION LIFT** For fine adjustment of the pit jack on the vehicle – important for sensitive lifting as well as when installing engines etc. ■ **7. CARRIAGE ROLLERS FITTED WITH NEEDLE BEARINGS** The enhanced freedom of movement allows you to slide the jack effortlessly within the pit. All M- and X-carriages are automatically lowered from a load of 0.8t onward. ■ **8. OPERATED BY FOOT PEDALS** Floor-running pit jacks from Blitz save power through the use of foot pedals to operate the jacks. Hands also remain free to work on the vehicle. ■ **9. RUST PROTECTION SYSTEM** Fully hydraulic lifting unit – with each lifting and lowering movement, the cylinder is immersed in oil on both sides of the sleeve. The piston as well as the cylinder is thus always completely immersed in oil. This means: no rust on the cylinder wall! ■ **10. EXTRA LONG CYLINDER HEADS** The long piston head guarantees optimum absorption of lateral forces. Since loads are picked up in their centre in only very rare instances, this argument takes on extra significance.

BASIC The entry level product into the world of Blitz pit jacks. With standard lifting and lowering speed and without cover.



PLUS The model for the cost-conscious user. Includes all features but only one control unit.



PREMIUM The complete pit jack for perfect ergonomics at the workplace. With 30% higher lifting speed and two-sided operation.



LIFTING SPEED

- Double acting air motor
- Optimised hydraulic block

+30%

YOUR BENEFIT - Increased capacity

LONG SERVICE LIFE

- Designed and tested for min. 30,000 lift cycles
- Solid design
- 2-layer surface finish
- G5 Warranty (Warranty extended to 5 years if annual service is carried out by an authorised agent)

30.000+

YOUR BENEFIT Low overall running costs (TCO - Total Cost of Ownership)

ERGONOMIC

- Two-sided operation
- Ergonomic carriage – operator closer to jack
- Integrated toolboxes
- Hand brakes for lifting unit & carriage
- Ergonomic colour concept

+20%

YOUR BENEFIT - Increased capacity

APPROVALS

- Approved by leading vehicle manufacturers

YOUR BENEFIT Tested by OEMs

MODULAR

- Wide range of products – the right jack for any application
- Modular system - Upgradeability
- Widest choice of pick-up equipment & accessories on the market

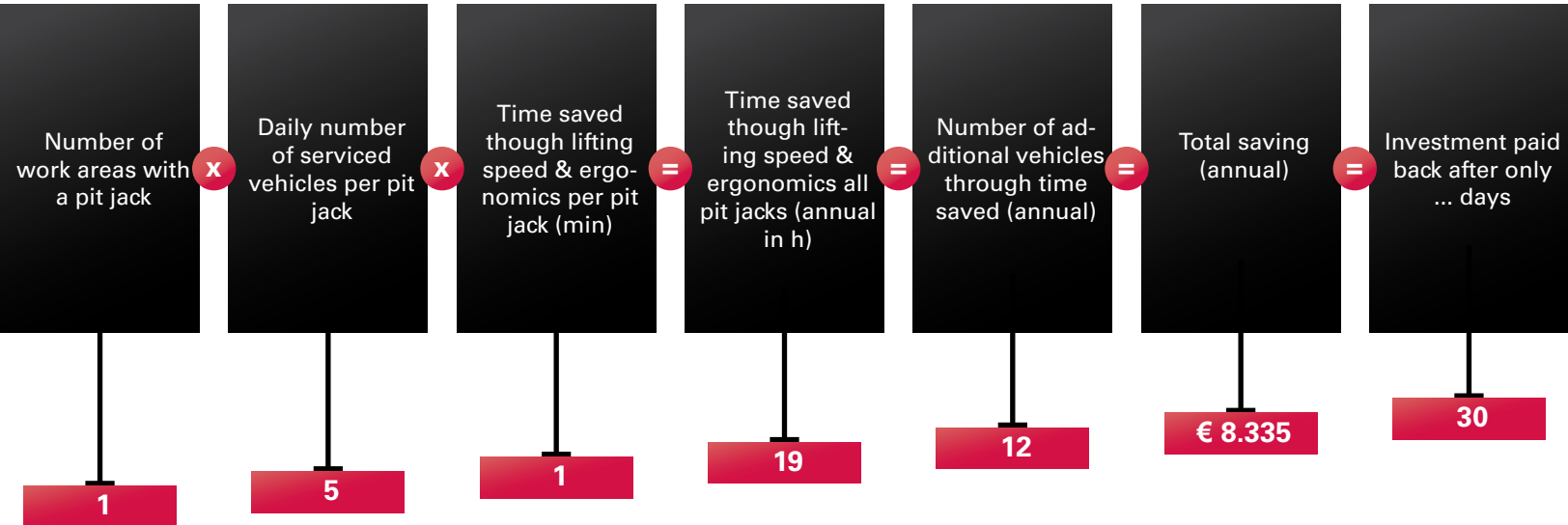
YOUR BENEFIT - Increased capacity

QUICKER AVAILABILITY

- High level of in-house production – long term supply of spares
- Stable & reliable company (Dover Corporation)
- Trained sales representatives
- Made in Germany
- Expertise in the vehicle lift technology since 1925

YOUR BENEFIT Shorter down-times

POTENTIAL SAVINGS The following example shows how the use of a Blitz pit jack can benefit you. Please use our online Return on Investment calculator to determine your personal potential saving.



Basic data for example:
 Internal hourly cost rate: € 60,- daily work time: 8h, Average turnover per serviced vehicle: € 800,-



ROI calculator:
Blitz.BlitzRotary.com/calc

BLITZ X classic carriage design for maximum flexibility

BLITZ M With integrated traverse carriage for even more precise work.

BLITZ R Top of the range model with connecting rails.

PRACTICAL USE OF PRACTICAL EXPERIENCE The opinion of our customers is important to us. Ideas and product details have therefore been discussed during our Leaduser Workshops.



BLITZ X

	15/15	20/15	15/15/15
LOAD CAPACITY	15/15T	20/15T	15/15/15T
RISE TIME ¹ (BASIC)	110 S (150 S)	110 S (150 S)	127 S (172 S)
LOWERING TIME ² (BASIC)	58 S (58 S)	58 S (58 S)	100 S (100 S)
RISE	1200 MM	1200 MM	1300 MM
MOUNTING HOLE DIAMETER	55 MM	55 MM	55 MM
A HEIGHT	975 MM	975 MM	730 MM
B WIDTH	845 MM	845 MM	845 MM
C DEPTH	1100 MM	1100 MM	1200 MM
WEIGHT	280 KG	280 KG	285 KG

BASIC

NORMAL SPEED

PLUS

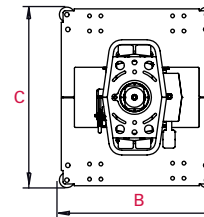
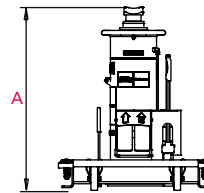
HIGH SPEED, COMPLETE COVER

PREMIUM

HIGH SPEED, COMPLETE COVER, TWO-SIDED OPERATION

BLITZ M

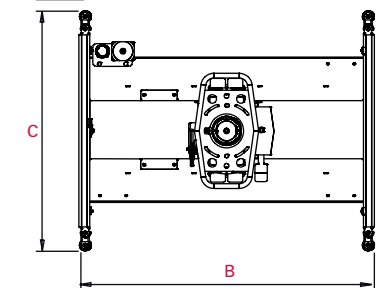
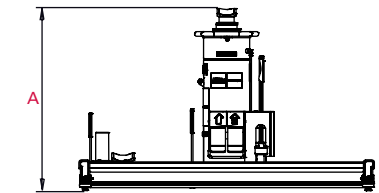
	15/15	20/15	15/15/15
LOAD CAPACITY	15/15T	20/15T	15/15/15T
RISE TIME ¹ (BASIC)	110 S (150 S)	110 S (150 S)	127 S (172 S)
LOWERING TIME ² (BASIC)	58 S (58 S)	58 S (58 S)	100 S (100 S)
RISE	1200 MM	1200 MM	1300 MM
MOUNTING HOLE DIAMETER	55 MM	55 MM	55 MM
A HEIGHT	975 MM	975 MM	730 MM
B WIDTH	820 MM	820 MM	820 MM
C DEPTH	957 MM	957 MM	1040 MM
WEIGHT	315 KG	315 KG	320 KG



BLITZ M

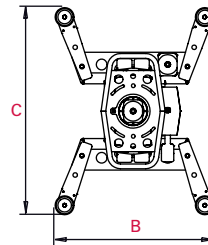
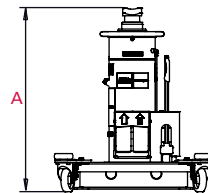
BLITZ R

	15/15	20/15	15/15/15
LOAD CAPACITY	15/15T	20/15T	15/15/15T
RISE TIME ¹ (BASIC)	110 S (150 S)	110 S (150 S)	127 S (172 S)
LOWERING TIME ² (BASIC)	58 S (58 S)	58 S (58 S)	100 S (100 S)
RISE	1200 MM	1200 MM	1300 MM
MOUNTING HOLE DIAMETER	55 MM	55 MM	55 MM
A HEIGHT	968 MM	968 MM	723 MM
B WIDTH	3	3	3
C DEPTH	1270 MM	1270 MM	1270 MM
WEIGHT	3	3	3



BLITZ R

- ¹ 70% quick lift, 30% load lift
- ² 30% with load, 70% without load
- ³ according to pit dimensions



BLITZ X

Blitz®



For more information go to:
BlitzRotary.com

BlitzRotary GmbH
Hüfinger Straße 55
D-78199 Bräunlingen
Telephone +49.771.9233.0
Telefax +49.771.9233.99
info@blitzrotary.com
www.blitzrotary.com

A DOVER COMPANY

