



SP065M (200 Series Lifts)

SP065E (600 Series Lifts)

Standard Arms Capacity 6500 kg. (14,300 lbs.)

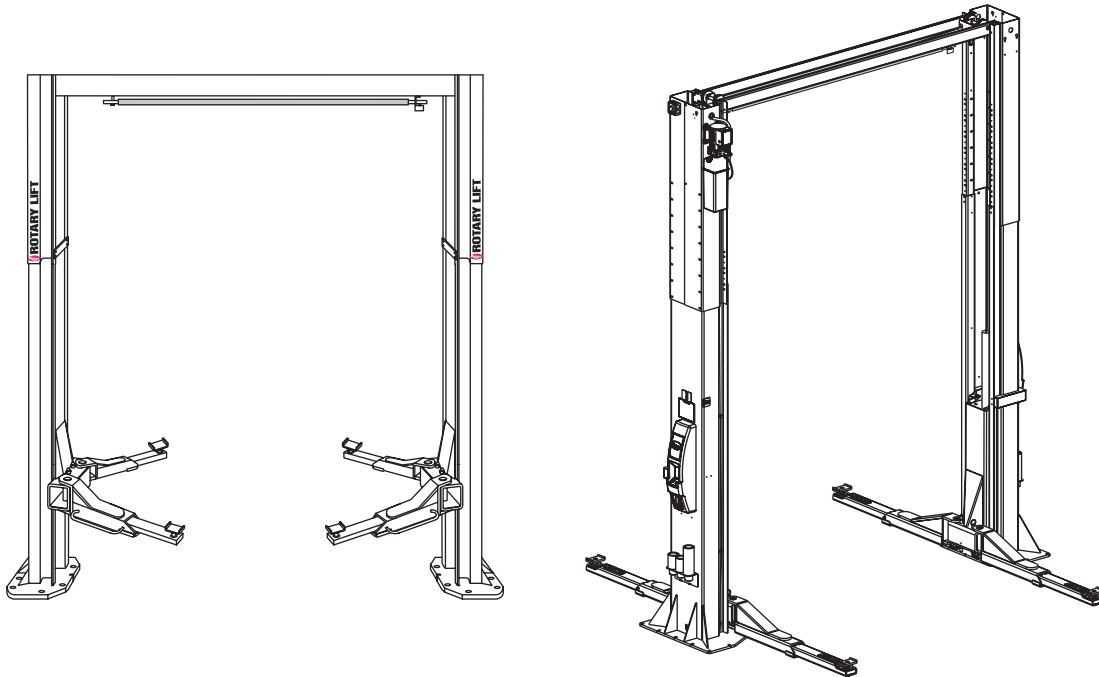
Sprinter Arms Capacity 5000 kg. (11,000 lbs.)



TÜV
Rheinland

**P
A
R
T
S

B
R
E
A
K
D
O
W
N**



IMPORTANT: When ordering parts or requesting service always give exact model and power unit serial number. Model number is shown on nameplate attached to power unit column. Power unit serial number is located on side of power unit.

OWNERS RECORD
Complete information
at right and keep in
a safe place.

Date Installed _____

Installed in Bay # _____

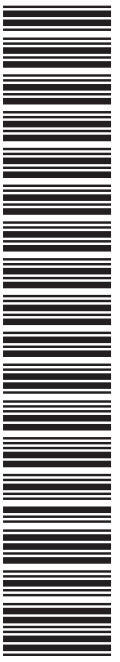
Power Unit Serial # _____

Power Unit Model # _____

Lift Serial # _____

Lift Model # _____

NOTE: For replacement parts -See your nearest Rotary Parts Distributor.



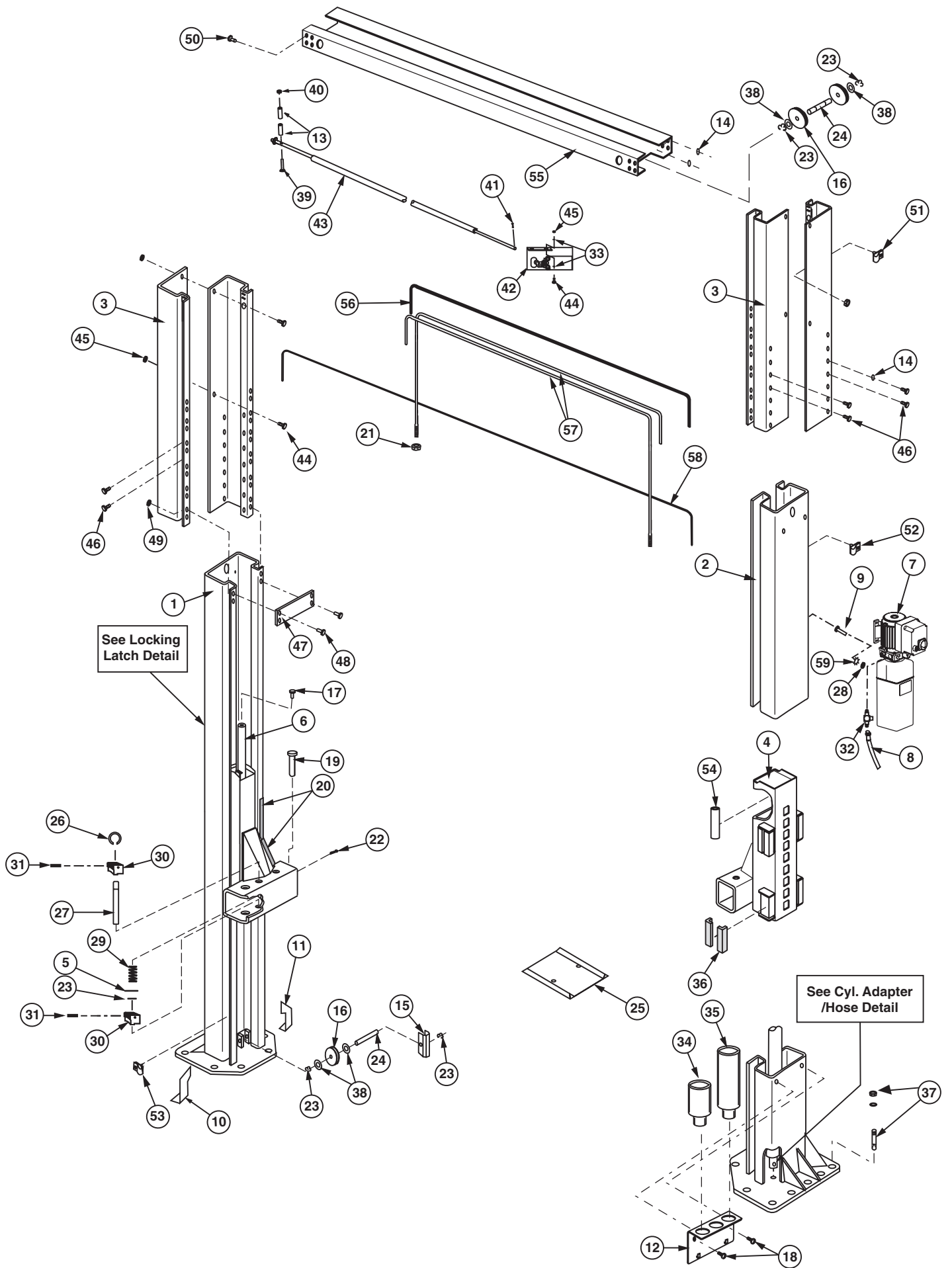
PB2-60-13

Rev. E 08/15/2006

SPO65 M Series

| | | | | | |
|----|--|------------------|----|---|----------|
| 1 | L.H. Column Weldment | N738 | 33 | 1/4" External Tooth Lockwasher..... | 40779 |
| 2 | R.H. Column Weldment | N739 | 34 | 5" Height Adapters (Standard Arms) | FJ7822-4 |
| 3 | Column Extension | | | 90mm Height Adapters (Sprinter Arms) | FJ6171-1 |
| | Left Side..... | N430 | 35 | 10" Height Adapters (Standard Arms) | FJ7822-5 |
| | Right Side | N431 | | 130mm Height Adapters (Sprinter Arms) | FJ6171-2 |
| 4 | Carriage Yoke Weldment..... | N824 | 36 | Slider | FJ7813-1 |
| 5 | 1-1/4" Flat Washer | 41101 | 37 | 3/4" Concrete Anchor | FJ7380 |
| 6 | Hydraulic Cylinder..... | FJ7604 | 38 | UHMWPE Washer | FJ7823-4 |
| 7 | Power Unit | *P1072-2/P3072-2 | 39 | 1/4-20NC x 2-3/4" HHCS..... | 40114 |
| 8 | Power Unit Hose..... | FJ7828 | 40 | 1/4-20NC Insert Locknut..... | 40642 |
| 9 | 5/16"-18NC x 1-1/2" HHCS..... | 40238 | 41 | 1/8 x 1" Lg. Cotter Pin..... | 41200 |
| 10 | Left Toe Guard | N159-1 | 42 | Limit Switch Assembly..... | N412 |
| 11 | Right Toe Guard..... | N160-1 | | Contains: Limit Switch..... | N411-1 |
| 12 | Adapter Rack (Standard Arms) | FJ7822-3 | | Bracket..... | N411-2 |
| | Adapter Rack (Sprinter Arms) | N973-1 | 43 | Switch Bar Assembly | N435 |
| 13 | 3/4" Switch Bar Mounting Spacer (2 req'd)..... | FJ7871 | 44 | 1/4-20NC x 3/4"lg. HHCS Grade 5 | 40099 |
| 14 | 3/8" External Tooth Lockwasher..... | 40845 | 45 | 1/4-20NC Zinc Hex Nut..... | 40625 |
| 15 | Lower Sheave Guard | FJ7813-8 | 46 | 3/8-16NC x 3/8" Lg. Flanged HHCS | |
| 16 | Sheave..... | FJ7823-3 | 47 | Tie Bar | FJ7824 |
| 17 | Bleeder Screw (Specify Manufacturer) | N/A | 48 | 3/8-16NC x 1" Lg. Flanged HHCS | 40144 |
| 18 | 5/16-18NC x 3/8" Lg. PHMS | 40227 | 49 | 3/8-16NC Flanged Lock Nut | |
| 19 | Arm Pin..... | N1132-1 | 50 | 3/8-16NC x 3/4" Lg. Flanged HHCS | 40124 |
| 20 | Approach Bumper (Foam 18" lg. 4 req'd)..... | FJ7391-3 | 51 | Pipe Clip (5/8" Clamping Diameter)..... | FJ7499 |
| 21 | 3/4-10NC Nylon Insert Hex Lock Nut..... | 40790 | | 5/16-18NC x 1/2" Lg. PHMS | 40228 |
| 22 | NA | NA | | 5/16-18NC Hex Nut | 40670 |
| 23 | Truarc #5304-100 Klipring for 1" Shaft..... | 41412 | 52 | Pipe Clip (5/8" Clamping Diameter)..... | FJ7499 |
| 24 | Lower Sheave Shaft..... | FJ7813-3 | | 5/16-18NC x 3/8" Lg. PHMS | 40227 |
| 25 | Wheel Spotting Dish Kit..... | FF729-1 | 53 | Pipe Clip (1/2" Clamping Diameter)..... | FJ7669 |
| 26 | Actuator Pin Handle..... | FJ7985-1 | | 5/16-18NC x 3/8" Lg. PHMS | 40227 |
| 27 | Actuator Pin | N1132-2 | 54 | Equalizer Cable Spacer | FJ7833 |
| 28 | 5/16-18NC Hex Nut | 40670 | 55 | Overhead Weldment | N429-1 |
| 29 | Actuator Pin Spring..... | N1132-3 | 56 | Overhead Hose..... | FJ7829 |
| 30 | 120T Gear Block..... | N2121 | 57 | Equalizer Cable Assembly | FJ7827-1 |
| 31 | Spring Pin 1/4 x 1-1/2" Lg. Stainless | 14427 | 58 | Locking Latch Air Line 1/4" O.D. | FA2230-2 |
| 32 | Branch Tee..... | FJ7668 | 59 | 5/16" External Tooth Lockwasher..... | 40854 |

*** Two different power units were used. Please verify your exact model number before ordering replacement parts.**



SPO65 E Series


| | | |
|-----|--|--------------|
| 1 | L.H. Column Weldment | N738 |
| 2 | R.H. Column Weldment | N738 |
| 3 | Column Extension | |
| | Left Side | N430 |
| | Right Side | N431 |
| 4 | Carriage Yoke Weldment | |
| | S15i | N185 |
| | S18i | N186 |
| 5 | NA | |
| 6 | Hydraulic Cylinder | FJ7604 |
| 7 | Power Unit | |
| | Standard | *P1474/P3074 |
| | Sprinter | *P1521/P3521 |
| 8 | Power Unit Hose | N340 |
| 9 | 5/16"-18NC x 1-1/2" HHCS | 40271 |
| 10 | NA | |
| 11 | NA | NA |
| 12 | NA | NA |
| 13 | Web Cover | FA931 |
| 14 | Adjustable Adapter | FJ7822-1 |
| 15 | Lower Sheave Guard | FJ7813-8 |
| 16 | Sheave | FJ7823-3 |
| 17 | Bleeder Screw (Specify Manufacturer) | N/A |
| 18 | 5/16-18NC x 3/8" lg. PHMS | 40227 |
| 19 | Arm Pin | N2226 |
| 20 | Approach Bumper (Door 18" lg. 4 req'd) | FJ7391-3 |
| 21 | 3/4-10NC Nylon Insert Lock Nut | 40703 |
| 22 | 3/16 x 2-1/2" lg. Cotter Pin | N/A |
| 23 | Truarc #5304-100 Klipring for 1" shaft | 41412 |
| 24 | Lower Sheave Shaft | FJ7813-3 |
| 25 | Wheel Spotting Dish | FF729-1 |
| 26 | Actuator Pin Handle | FJ7985-1 |
| 27 | Actuator Pin | N167-2 |
| *28 | *Slider | *FJ7813-1 |
| 29 | Actuator Pin Spring | FJ7813-10 |
| 30 | 120T Gear Block | FJ7749 |
| 31 | Spring Pin 1/4 x 1-1/2" lg. stainless | 14427 |
| 32 | 3/8-16NC x 3/4" lg. HHCS Plated | 40130 |
| 33 | 3/8"-16NC x 1-1/2" HHCS Grade 5 | 40201 |
| 34 | 5/16 USS Flat Washer -Black Oxide | 40855 |
| 35 | Restraint Gear | FJ7831 |
| 36 | 3/8" Helical Spring Lockwasher | 40818 |
| 37 | Concrete Anchor, 20mm x 170mm | W140210 |
| 38 | UHMWPE Washer | FJ7823-4 |
| 39 | Junction Box | FA925 |
| 40 | Grounding Block | FA925-3 |
| 41 | #12 Ext. Tooth Lockwasher | 41527 |
| 42 | #12-24NC Hex Nut | 40650 |
| 43 | #12-24NC x 3/4" Lg. PHMS | 40092 |
| 44 | Junction Box Lid Assembly | FA925-4 |
| 45 | 1/4"-20NC Zinc Hex Nut | 40627 |
| 46 | 3/8-16NC x 3/8"lg. Flanged HHCS | - |
| 47 | Tie Bar | FJ7824 |
| 48 | Horse Shoe Shim | FJ716-6 |
| 49 | 3/8-16NC Flanged Lock Nut | 40664 |
| 50 | 3/8-16NC x 3/4" lg. Flanged HHCS | 40124 |
| 51 | Pipe Clip (5/8" Clamping Diameter) | FJ7499 |
| | 5/16-18NC x 1/2" lg. PHMS | 40228 |
| | 5/16-18NC Hex Nut | 40670 |
| 52 | Pipe Clip (5/8" Clamping Diameter) | FJ7499 |
| | 5/16-18NC x 3/8" lg. PHMS | 40227 |
| 53 | Pipe Clip (1/2" Clamping Diameter) | FJ7669 |
| | 5/16-18NC x 3/8" lg. PHMS | 40227 |
| 54 | Equalizer Cable Spacer | FJ7833 |
| 55 | Overhead Assembly | N429 |
| 56 | Overhead Hose | N341 |
| 57 | Equalizer Cable Assembly | |
| | S15i/S18i | FJ7827-1 |
| | S15iLC/S18iLC | FJ7826-1 |
| 58 | Locking Latch Air Line 1/4" O.D. | FA2230-2 |
| 59 | 5/16"-18NC Hex Nut | 40670 |

| | | |
|----|---------------------------------------|----------|
| 60 | Branch Tee | FJ7668 |
| 61 | NA | NA |
| 62 | Adapter Rack (1 Qty. Each Column) | FJ7822-3 |
| 63 | 10" Height Adapters (2 Qty. Per Lift) | FJ7822-5 |
| 64 | 5" Height Adapters (4 Qty. Per Lift) | FJ7822-4 |
| 65 | Rubber Pad Adapters (4 Qty. Per Lift) | FJ7822-2 |
| 66 | Wide Rim Machinery Bushing | FF40-4 |
| 67 | 5/16"-18NC x 3/8"lg. PHMS | 40227 |
| 68 | Master Control Assembly | FA7420 |
| 69 | Slave Control Assembly | FA7526 |
| 70 | Wire Trough | FA930 |
| 71 | #8-32 Type B x 5/8" Lg. PHTS, Plated | 41457 |
| 72 | 1/4"-20NC x 3/4" Lg. PHMS | 40106 |
| 73 | 3/4" Switch Bar Mounting Spacer | FJ7871 |
| 74 | 1/4"-20NC Insert Locknut | 41423 |
| 75 | 1/8 x 1" Lg. Cotter Pin | 41200 |
| 76 | Switch Bar Assembly | N435 |
| 77 | 1/4"-20NC x 2-3/4" HHCS | 40114 |
| 78 | 1/4"-20NC x 3/4" HHCS Grade 5 | 40099 |
| 79 | 1/4" External Tooth Lockwasher | 40779 |
| 80 | Limit Switch | N412 |
| 81 | Actuator Assembly | N432-5 |
| 82 | 1/4" Flat Washer | 40795 |
| 83 | Master Harness | FA7613 |
| 84 | Motor Cable | FA7954 |
| 85 | Power Harness | FA7947 |
| 86 | Extension Harness 1219mm | FA7806 |
| 87 | Power Extension Harness | FA7810 |
| | | |
| | | |
| | | |
| | | |
| | | |
| | | |
| | | |
| | | |
| | | |
| | | |
| | | |
| | | |
| | | |
| | | |
| | | |
| | | |
| | | |
| | | |
| | | |
| | | |
| | | |
| | | |
| | | |
| | | |
| | | |
| | | |
| | | |
| | | |
| | | |
| | | |

* Two different power units were used. Please verify your exact model number before ordering replacement parts.


**For SPO18 lifts whose 4th thru 6th Serial Numbers are 97A, 97B, 97C, 97D, or 98A, order Slider Block Kit FA5124.

IMPORTANT
DO NOT REMOVE THIS TAG
WARRANTY IDENTIFICATION




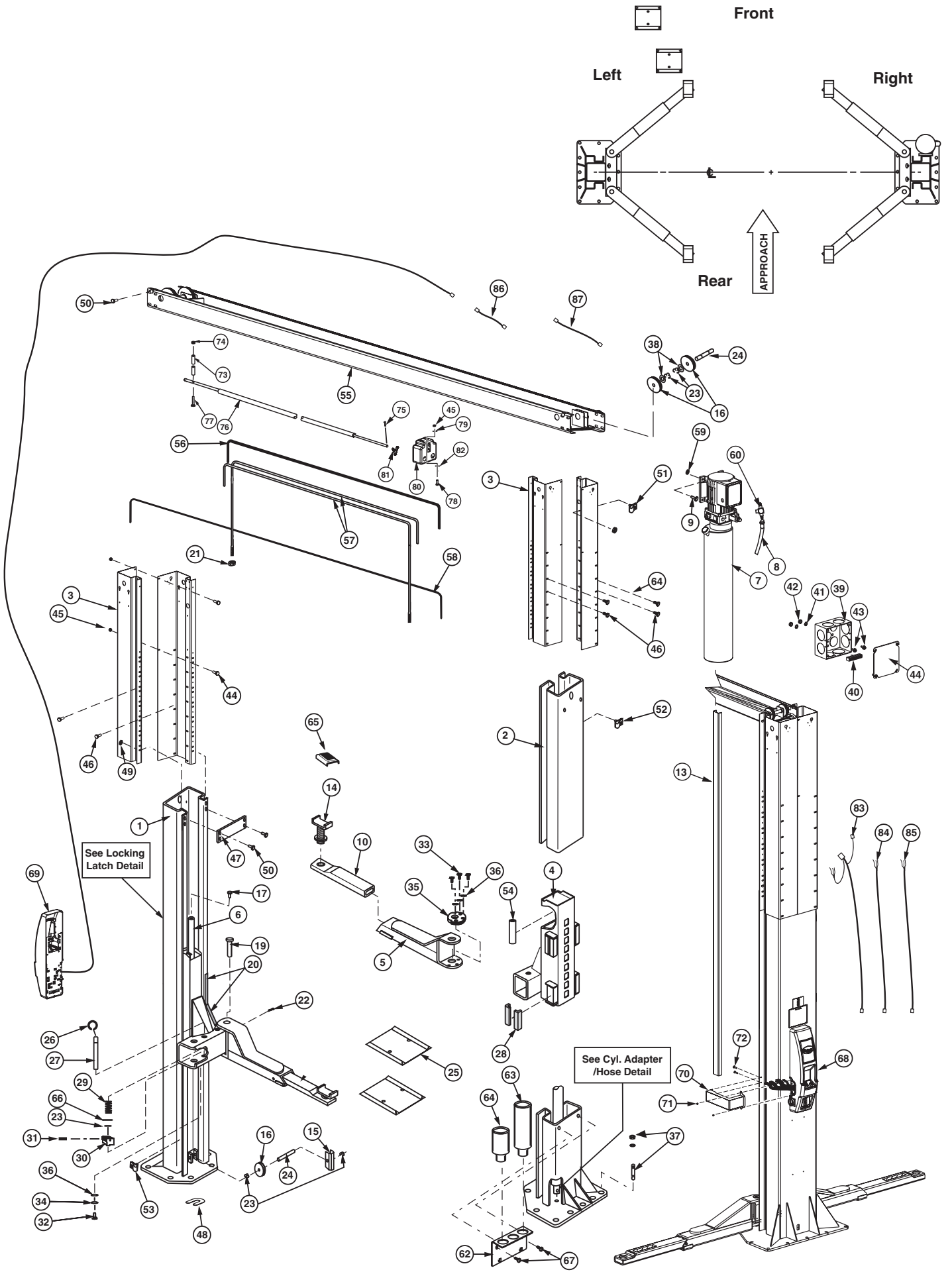
800-445-5438

MODEL: XXXXXXX
CAP. LBS.: XXXX
SERIAL NUMBER
XXXXXXXXXXXXXX



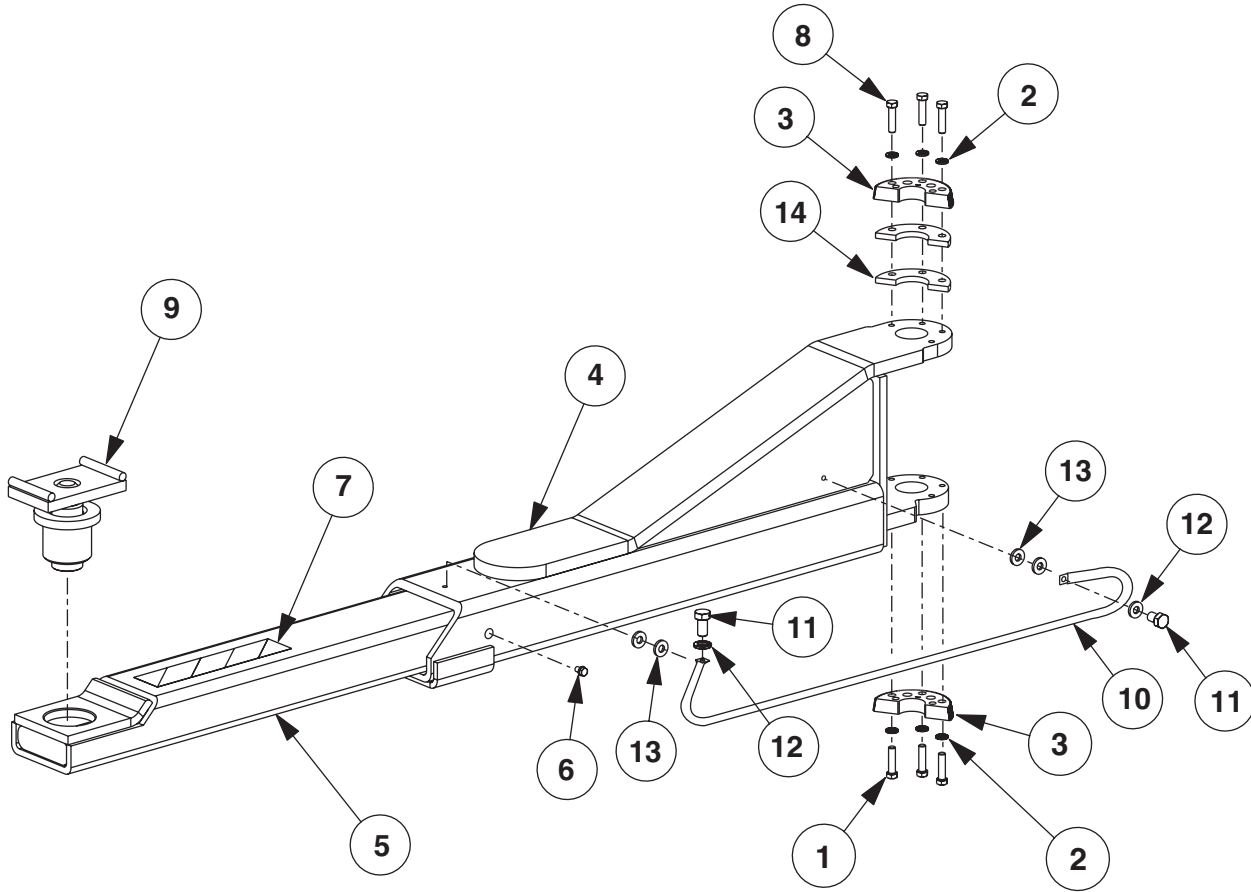
MANUFACTURED UNDER ONE OF THESE PATENTS:
5009287 5148827 515238 5284224

Rotary Lift  INDUSTRIES COMPANY Madison, IN.



Standard Arms (N2144)

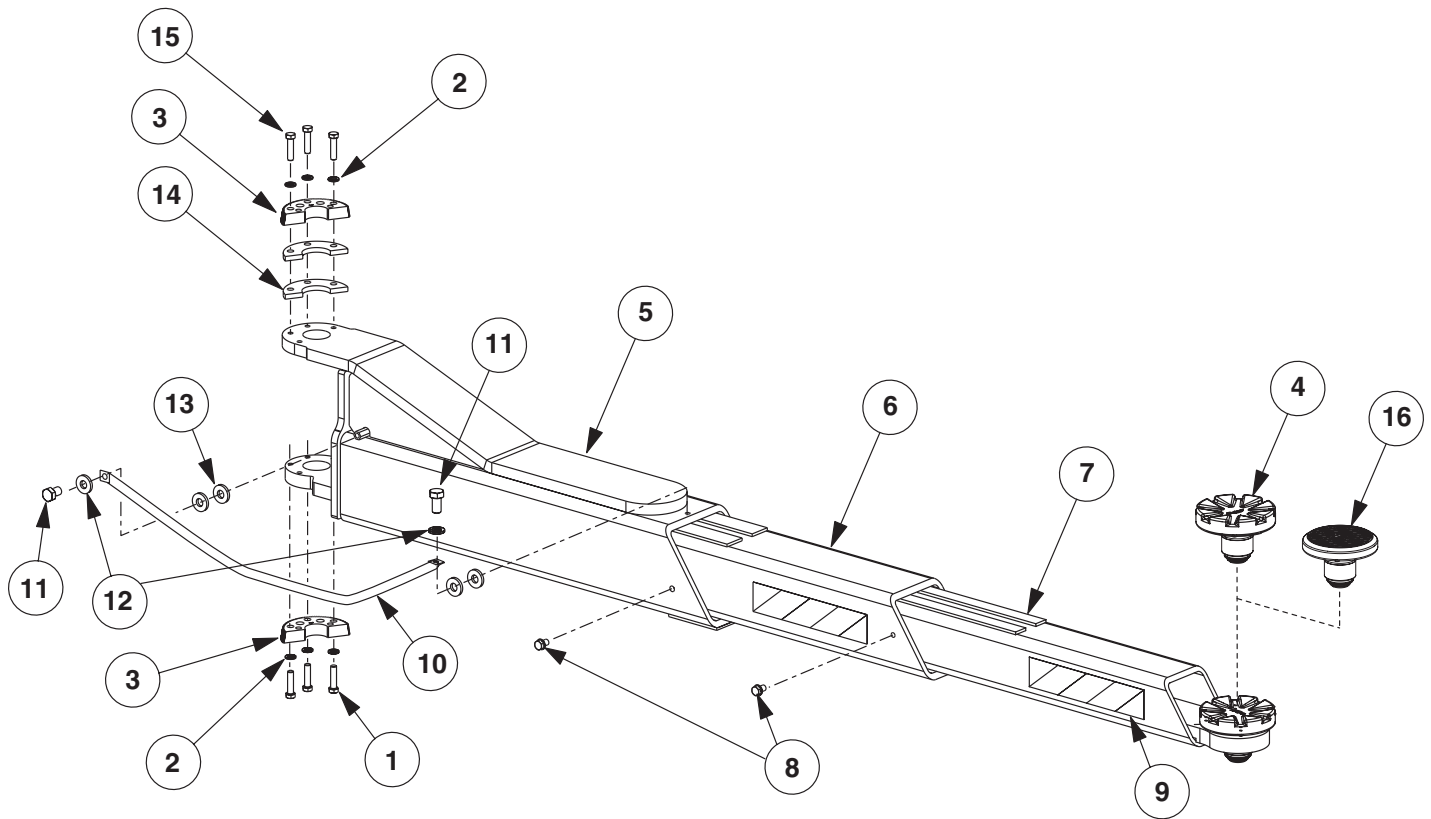
Capacity
6500Kg (14,300 lbs.)



- | | | |
|-----|---|----------|
| 1. | 3/8"-16NC x 1-1/2" HHCS Grade 8..... | 40373 |
| 2. | 3/8" Spring Washers | 40818 |
| 3. | Arm Restraint Gear..... | N2122 |
| 4. | Outer Arm | N2144-1 |
| 5. | Inner Tube | FJ7819-2 |
| 6. | Stop Bolt Assembly..... | N219 |
| 7. | Traffic Tape..... | N220-3 |
| 8. | 3/8"-16NC x 2" Lg. HHCS Grade 8 | 40374 |
| 9. | Adapter Assembly..... | FJ7822-1 |
| 10. | Arm Guard..... | N253-3 |
| 11. | 5/16"-18NC x 3/4" Lg. HHCS | 40252 |
| 12. | 5/16" Flat Washer, Plated SAE Standard..... | 40856 |
| 13. | 5/16" Split Lockwasher, Plated | 40856 |
| 14. | Gear Spacer | N2144-6 |

Sprinter Arms (N2219)

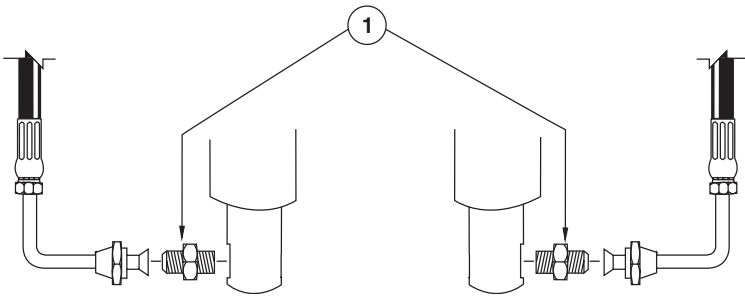
Capacity
5000 Kg. (11,000 lbs.)



- | | | |
|-----|---|---------|
| 1. | 3/8"-16NC x 1-1/2" Lg. HHCS Grade 8..... | 40373 |
| 2. | 3/8" Spring Washers..... | 40818 |
| 3. | Arm Restraint Gear..... | N2122 |
| 4. | Adapter Assembly..... | FJ6191 |
| 5. | Long Outer Arm..... | N2219-1 |
| 6. | Long Middle Arm..... | N2219-2 |
| 7. | Long Inner Arm..... | N2219-3 |
| 8. | Stop Bolt Assembly..... | N219 |
| 9. | Traffic Tape..... | N220-3 |
| 10. | Arm Guard..... | N283-6 |
| 11. | 5/16"-18NC x 3/4" Lg. HHCS..... | 40252 |
| 12. | 5/16" Flat Washer, Plated SAE Standard..... | 40856 |
| 13. | 5/16" Split Lockwasher, Plated..... | 40856 |
| 14. | Gear Spacer..... | N2144-6 |
| 15. | 3/8"-16NC x 2" Lg. HHCS Grade 8..... | 40374 |
| 16. | Low Profile Adapter Assembly..... | FJ6202 |

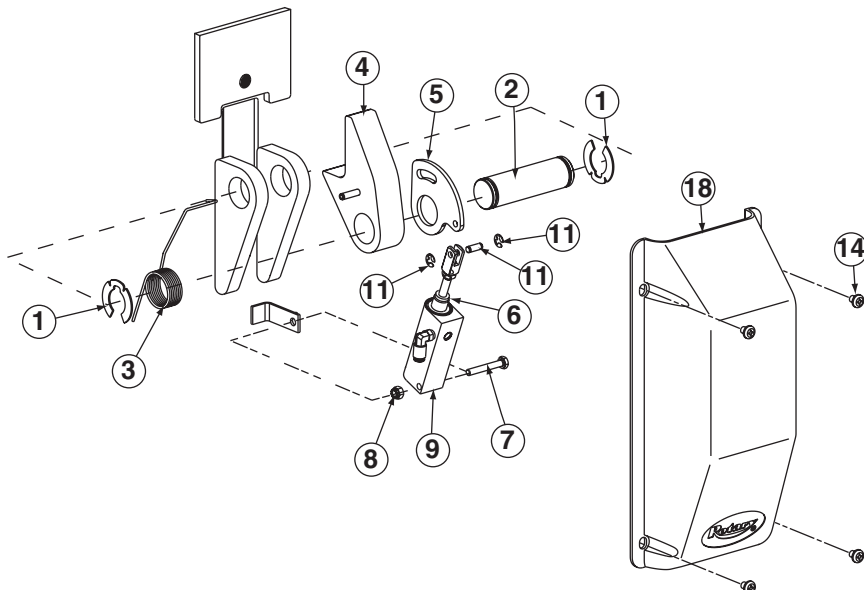
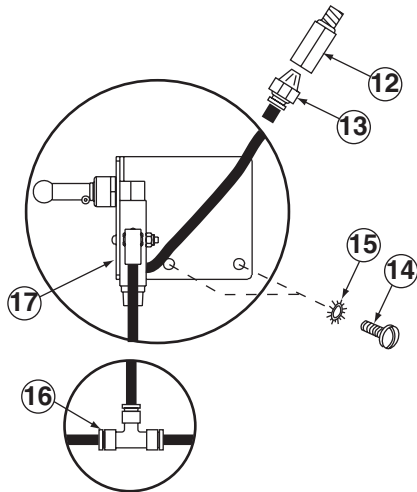
CYLINDER ADAPTER/HOSE DETAIL

| ITEM# | DESCRIPTION | PART# |
|-------|-----------------------|----------|
| 1 | Straight Adapter..... | FJ7352-3 |



LOCKING LATCH DETAIL

| ITEM# | DESCRIPTION | PART# |
|-------|--|-----------|
| 1 | Truarc Klipring#5304-125 for 1 1/4" Shaft..... | 41417 |
| 2 | Latch Shaft | FJ7813-7 |
| 3 | Latch Spring | FJ7813-5 |
| 4 | Locking Latch Dog Assy..... | FJ7813-14 |
| 5 | Latch Control Plate | FJ7813-6 |
| 6 | Dampening Spacer..... | FJ7813-13 |
| 7 | 1/4"-20NC x 1-1/4" HHCS..... | 40101 |
| 8 | 1/4"-20 Nylon Insert Nut | 40642 |
| 9 | Air Cylinder..... | N614-1 |
| 10 | Swivel elbow 1/4"O.D. tube to 1/8" NPT..... | FA3134-6 |
| 11 | Bimba Piston Rod Clevis #D-166-1 (set)..... | 11263 |
| 12 | Filter | FA3134-12 |
| 13 | 1/4" Male Connector..... | FC5191-6 |
| 14 | 5/16"-18NC x 3/8" PHMS..... | 40227 |
| 15 | 5/16" External Lockwasher | 40854 |
| 16 | Union Tee..... | FC5225-46 |
| 17 | Switch Bracket & Switch (Set) | N620 |
| 18 | Latch Cover | FJ7451 |



Notes:

**European
Headquarter
BlitzRotary GmbH**
Hüfingerring Straße 55
D-78199 Bräunlingen
Telefon +49.771.9233.0
Telefax +49.771.9233.99
info@blitzrotary.com
www.blitzrotary.com

World Wide Contact Information
World Headquarters/USA: 1.812.273.1622
Canada: 1.905.812.9920
United Kingdom: +44.178.747.7711
Australasia: +60.3.5192.5910
Latin America/Caribbean: 1.812.273.1622
Middle East/Northern Africa: +49.771.9233.0
Southern Africa: 1.812.273.1622
Brazil: +55.11.4534.1995

A  **DOVER** COMPANY

