

2-POST LIFTS

3.5 T ELECTRO-HYDRAULIC

The electrohydraulic 2-post lift SPOA3TS-EH2-EV is the ideal solution for whoever wants to set up a universal work bay. The innovative low-profile arms with rotating terminal offer incredibly flexible use, making the lift suitable for lifting

all types of vehicles - from the standard city cars to sports cars - including the most modern electric vehicles - up to long wheel base sedans.

- + High functionality: suitable for every type of vehicle
- + High versatility: easy access to all vehicle parts
- + Total safety: safe and stable movements



The movement flexibility of the arms provides direct access to the battery pack for its removal operations. The automatic arm locking system guarantees utmost safety and stability for the operator

The minimal space requirement of the arm permits to work underbody obstacle-free, even on vehicle parts such as wheels, brakes and suspension



Space saving working bay. Power unit placed on the upper part of the column

CE stop: mechanical foot protection replaced by CE stop buzzer

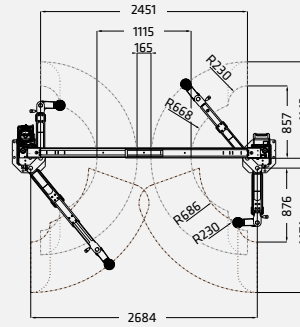
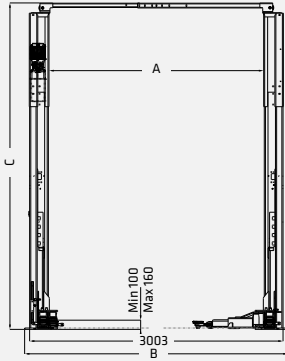
The rotating terminal makes it possible to easily reach the pick-up points by moving the arm body away from the chassis; in this way, any contact between vehicle and the arm can be avoided

HIGHLIGHTS IN DETAIL



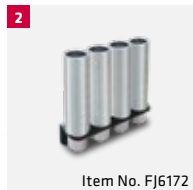
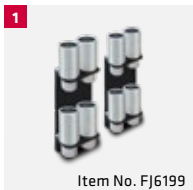
- 1 Minimum space requirement on the underbody.
- 2 Possibility to use the arm either straight or tilted up to 90°.
- 3 The rotating terminal is easy to adjust based on the type of vehicle being worked on.
- 4 Innovative geometry of the asymmetric arms with rotating terminal.
- 5 Perfect for electric cars.
- 6 Minimum footprint in the underbody.
- 7 Ideal for sports cars with low profile.
- 8 Wide lifting range.

SPOA3TS-EH2-EV



Model	SPOA3TS-EH2-EV
Rated load capacity	3500 kg
Max. lifting height	1957 mm
Lifting time	30 s
A Drive-through width	2336 mm
Switchoff level	4026 mm
Required ceiling height	4220 mm
Surface coating	powder coated
Support arm design	asymmetric
Telescopability front and rear support arms	3 fold
Short arms	1143 mm
Long arms	1474 mm
Driving power	1x4 Kw
Power supply	230/400 V 50 Hz
B Width	3121 mm
C Height	4170 mm
Article number	SPOA3TS-EV-EH2

ACCESSORIES



1 Adaptor Extension Kit, 4 x 89 mm, 4 x 127 mm, with 2 organizer racks.

2 Adaptor Extension Kit, 4 x 200 mm, with 2 organizer racks.

3 TESLA set of 4 rubber pads.