

# TIRE CHANGER

## PROFESSIONAL TIRE CHANGER

**Karakter.TLX Pro** Patented plastic mounting head, passenger car, rim diameter 10" - 26".

**Karakter.TLX Premium** Patented plastic mounting head, with pneumatic helper arm and wheel lift, passenger car, rim diameter 10" - 26".

+ Equipped with plastic tool and 2 Pneumatic bead breaker rollers for a powerful and easy working process

Available also with wheel lift (Premium)

Synthetic tool

Clamping of revers rims possible without extra required optional

Adjustable height of the chucking table

Self regulating speed thanks to the inverter technology that adjusts the turns per minute to the required effort (TPM 0-14)

Available also with pneumatic helper arm (Premium)

Disk advance button for correct and safe bead breaking without damaging the tire side wall and the pressure sensor

The position of the disks permit a leverless demounting of the second bead

Synchronized positioning of the 2 bead breaker disks and separate positioning of the mounting tool

Matching possible without demounting of the tire

WDK-approved

Side shovel



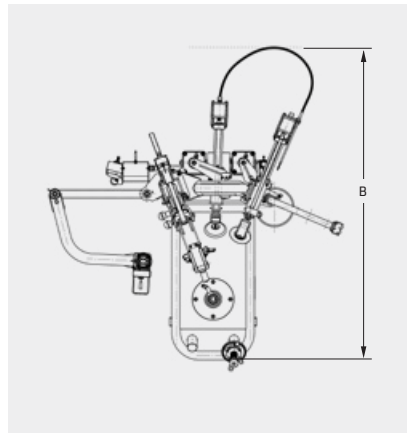
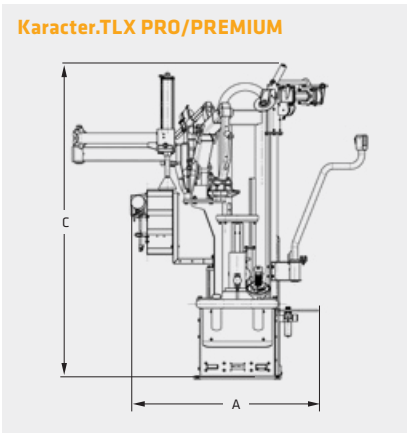
## HIGHLIGHTS IN DETAIL



**1** Plastic mounting head: Unlike conventional tools made of metal, the plastic tool allows you to work close to the rim, making it easier to bring the upper bead over the rim flange.

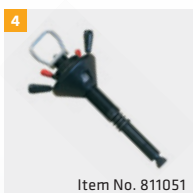
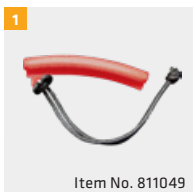
**2** Extra-grip clamping device. Three adjustable working heights.

## Karakter.TLX PRO/PREMIUM



Model	Karakter.TLX PRO	Karakter.TLX PREMIUM
Clamping range	10" - 26"	10" - 26"
Rim width max.	15"	15"
Wheel diameter max.	1168 mm	1168 mm
Wheel weight max.	80 kg	80 kg
Bead-breaking force	1200 kg	1200 kg
Rotation speed	0 - 14 U/min	0 - 14 U/min
Torque max.	1177 Nm	1177 Nm
Power inverter motor	1,5 kW	1,5 kW
Motor power	0,75 kW	0,75 kW
Compressed air supply	8-10 bar	8-10 bar
Electrical connection	200-265 V/1ph - 50/60 Hz	200-265 V/1ph - 50/60 Hz
<b>A</b> Depth	1800 mm	1800 mm
<b>B</b> Width	1360 mm	1698 mm
<b>C</b> Height	1814 mm	1814 mm
Weight	320 kg	350 kg
Article number	810199	810198

## SCOPE OF DELIVERY



- 1 Rim flange plastic protection
- 2 Magic cord with traction
- 3 Bead protection foils
- 4 Quick-clamping lock
- + Side bead breaker blade
- + Replacement mounting head
- + WulstBoy with towing device Standard (811443)
- + wdk-certificate incl. Sticker (GWDK02040)
- + Pneumatic wheel lift (Premium)
- + Pneumatic bead pusher (Premium)