

# MOTORCYCLE WHEEL BALANCER

## FOR RIM DIAMETERS OF 10 - 26 INCHES

The **Librak328BIKE** is designed for balancing motorcycle tires with a rim diameter of 10 - 26 inches. The integrated computer control allows for fast and precise balancing.

- + Computer-controlled balancing machine
- + Compact dimensions: can be mounted on a workbench
- + Up to 65 kg wheel weight

Computer-controlled balancing machine for precise and fast balancing of motorcycle tires with a rim diameter of 10 - 26 inches

The Librak328BIKE is powered by a drive motor

Thanks to its compact dimensions, the Librak328BIKE can be easily mounted on a workbench.



Individual measurement with automatic deceleration at the end

The detection of distance and rim diameter is done by a measuring arm and manual input

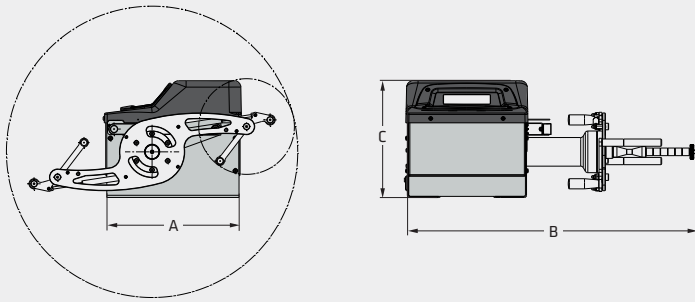
Illustration shows: Librak328BIKE with optional underbody housing

## HIGHLIGHTS IN DETAIL



- 1 Compact design
- 2 Simple intuitive operation / with display

## Librak328BIKE

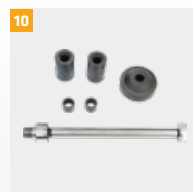
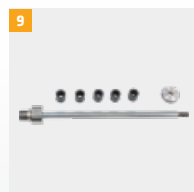
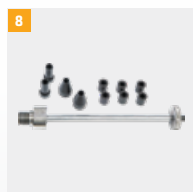


Model	Librak328BIKE
Measuring speed	<100 U/min
Measuring time	6 s
Balancing accuracy	1 g
Rim width	1,5" - 22"
Rim diameter	10" - 26"
Wheel diameter max.	720 mm
Wheel weight max.	65 kg
Mains frequency	50-60 Hz
Mains voltage (AC)	110-230 V
<b>A</b> Length	365 mm
<b>B</b> Width	807 mm
<b>C</b> Height	322 mm
Weight	120 kg
Article number	810184

## ACCESSORIES



- 1 BMW centering cone
- 2 Ducati centering cone
- 3 Honda NTV centering cone
- 4 Honda VFR centering cone
- 5 Yamaha centering cone
- 6 Harley Davidson centering cone



- 7 Suzuki centering cone
- 8 Motorcycle shaft  $\varnothing=10\text{mm}$  and  $\varnothing=12\text{mm}$
- 9 Motorcycle shaft  $\varnothing = 14\text{mm}$
- 10 Motorcycle shaft  $\varnothing=19\text{mm}$