



SPOA30/SPOA40/SPO40

600 M Series And 700 E Series

Two Post Surface Mounted Lifts

SPOA30 Series Capacity: 3,100kg (775 kg per arm)

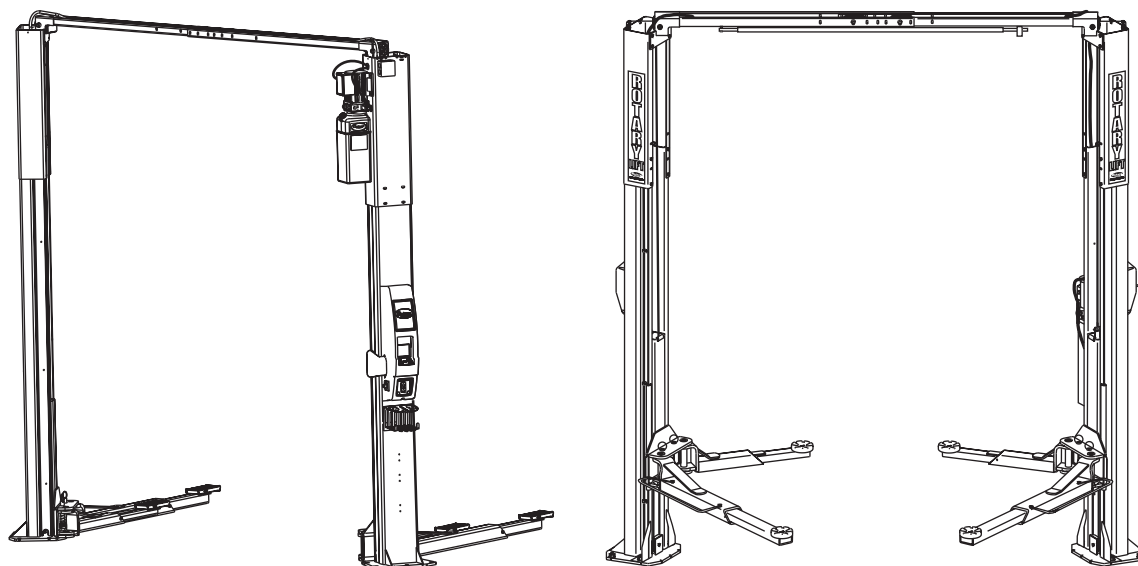
SPOA40 Series Capacity: 4,000kg (1,000kg per arm)

SPO40 Series Capacity: 4,000kg (1,000kg per arm)



P
A
R
T
S

B
R
E
A
K
D
O
W
N



IMPORTANT: When ordering parts or requesting service always give exact model and power unit serial number. Model number is shown on nameplate attached to power unit column. Power unit serial number is located on side of power unit.

OWNERS RECORD
Complete information
at right and keep in
a safe place.

Date Installed _____

Installed in Bay # _____

Power Unit Serial # _____

Power Unit Model # _____

Lift Serial # _____

Lift Model # _____

NOTE: For replacement parts -See your nearest Rotary Parts Distributor.



PB2-32-30

Rev. B 01/26/2007

M SERIES PARTS LIST

1	L.H. Column	N752	39	Equalizer Cables	
2	R.H. Column	N755		SPOA30	N384
3	Column Extension			SPOA30 EH-1 MODEL	N385
	Standard Height.....	N470		SPOA30 EH-2 MODEL	N386
	EH-1 MODEL	N471		SPOA40	N372
	EH-2 MODEL	N472		SPOA40 EH-1 MODEL	N378
	EH-4 MODEL (SPO40 only)	N474		SPOA40 EH-2 MODEL	N373
4	Carriage Yoke.....	N822		SPO40	N374
5	Arm Pin	N2154		SPO40 EH-1 MODEL	N379
6	3/8" -16NC x 3/4" Long Carriage Bolts	N/A		SPO40 EH-2 MODEL	N375
7	71" Hydraulic Cylinder	N382		SPO40 EH-4 MODEL	N376
*8	Power Unit		40	Carriage Bumper.....	FA950
	1Ø (SPOA30) (F model).....	*P1453/P3453	41	Locking Latch Cable	FJ7595-1
	1Ø (SPOA40/SPO40) (F model).....	*P1456/P3456		SPO40 EH-4 Model	FJ7600
	3Ø (SPOA30) (D model).....	*P1454/P3454	42	Cable Guide.....	N618
	3Ø (SPOA40/SPO40) (D model).....	*P1047/P3346	43	3/8" -16NC Flanged Locknut.....	40664
	3Ø (SPOA30) (T model)	*P1455/P3455	44	Sheave Shaft	FJ7444-8
	3Ø (SPOA40/SPO40) (T model)	*P1457/P3457	45	1/4" -20NC x 3/4" HHCS Grade 5	40104
9	Power Unit Hose	FJ837	46	Cable End Bracket	N619
10	5/16" -18NC x 1-1/2" HHCS	40238	47	Hose Clip	N383
11	5/16" External Tooth Lock Washer	40854	48	Front Shim	FJ7659-3
12	5/16" -18NC Hex Nut	40670	49	Horse Shoe Shim	FJ716-6
13	Actuator Pin Handle	FJ7985-1	50	Tee	FJ7668
14	Actuator Pin.....	N121-1	51	N/A	N/A
15	Retaining Ring	N119-3	52	Photosensor Plug.....	FA5930-2
16	Arm Restraint Spring	FJ7656-2	53	1/4" -20NC Flanged Locknut.....	40641
17	Strain Relief (1Ø Only)	P1164-4	54	Spacer	FJ7871
18	Carriage Bumper (152mm Lg.)	FA941	55	Limit Switch Assembly	N412
19	Arm Restraint Pawl.....	N2121	56	1/4" External Tooth Lock Washer	40779
20	Approach Bumper (457mm Lg.)	FJ7391-1	57	3/8" External Tooth Lock Washer	40845
21	5/8" -11NC Hex Nylon Insert Lock Nut	40780	58	1-1/2" Lg. Spring Pin.....	14427
22	Truarc #5304-75 Klipping for 3/4" Shaft.....	41411	59	1/4" -20NC x 1" HHCS Grade 5.....	40108
23	Sheave.....	N377	60	Left Toe Guard	N137-1
24	1/4" -20NC Hex Nut.....	40627	61	Right Toe Guard.....	N138-1
25	Sheave Cover	N119-1	62	Limit Switch	N411-1
26	1/4" -20NC x 3/8" Lg. PHMS Plated (2 pcs.).....	40063	63	Push Nut.....	FC5209
27	Slider Block.....	FJ7360	64	L.H. Overhead (Outer).....	N480-1
28	20mm Concrete Anchor (10 req'd)W140210		65	R.H. Overhead (Inner).....	N481-1
29	1-1/2" O.D. x .760-.770" I.D. x .045" Thk. Mach. Bushing.....	41388	66	Bleeder Screw	N/A
30	1/4" -20NC x 2-3/4" Hex Head Bolt.....	40114	67	Adapter Plate.....	FA7926
31	1/4" -20NC Nylon Insert Locknut.....	41423	68	5/16-18NC x 1/2" Socket Flat Head MS	40375
32	1/4" Type A Plain Flat Washer		69	Control Panel	
33	Switch Bar Assembly			1Ø	FA7928
	SPOA30	N415		3Ø	FA7927
	SPOA40/SPO40	N467	70	#8-32NC x 3/8" Lg. Hex SHCS.....	40087
34	Spotting Wheel Dish Kit.....	FF729	71	Overhead Mounting Bracket	N439
35	N/A	N/A			
36	3/8" -16NC x 3/4" Long Flanged HHCS	40134			
37	Slider Block Shim.....	N115			
38	Overhead Hose				
	SPOA30	FJ839			
	SPOA30 EH-1 MODEL	FJ842			
	SPOA30 EH-2 MODEL	FJ843			
	SPOA40 and SPO40.....	FJ839			
	SPOA40 and SPO40 EH-1 MODEL.....	FJ842			
	SPOA40 and SPO40 EH-2 MODEL.....	FJ843			
	SPO40 EH-4 MODEL	FJ845			

*Notes: F, D, or T Model?

To find out if you have a F, D, or T model Power Unit look at the 4th letter from the end of your lift model number.

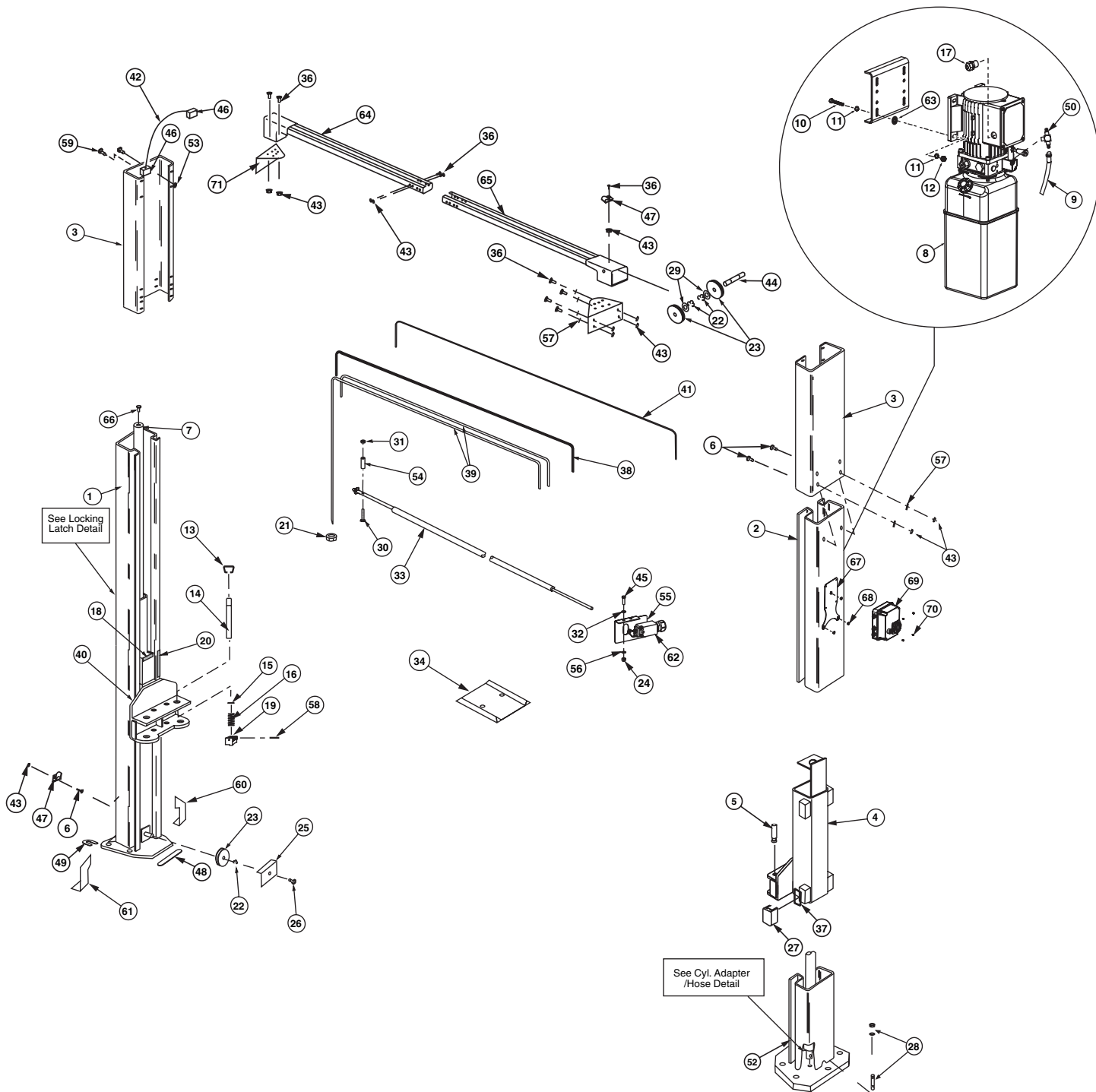
EXAMPLE: SPOA30MD585 would be a D Model.



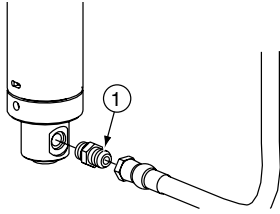
Model number can be found on a tag on the side of the lift.

*** Two different power units were used. Please verify your exact model number before ordering replacement parts.**

M SERIES PARTS LIST

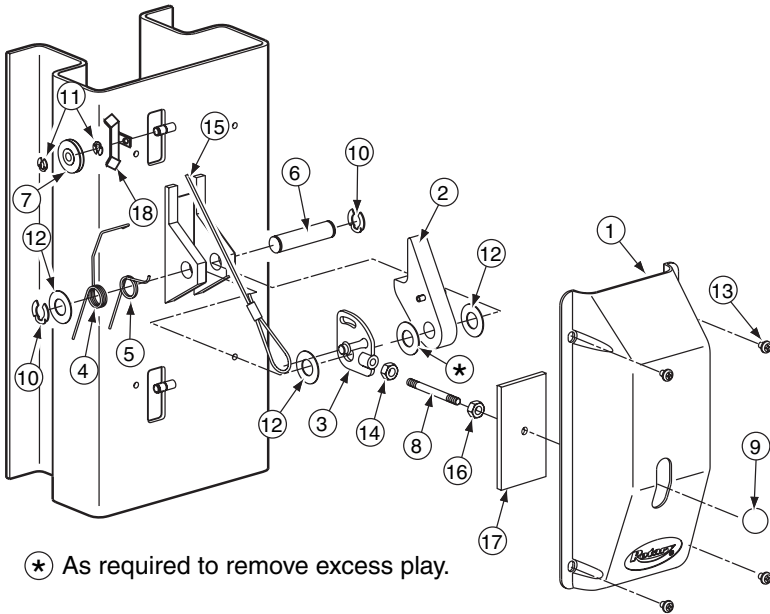


M SERIES PARTS LIST



CYLINDER ADAPTER/HOSE DETAIL PARTS LIST

Item	Description	Part No.
1	Straight Adapter	FJ7352-3

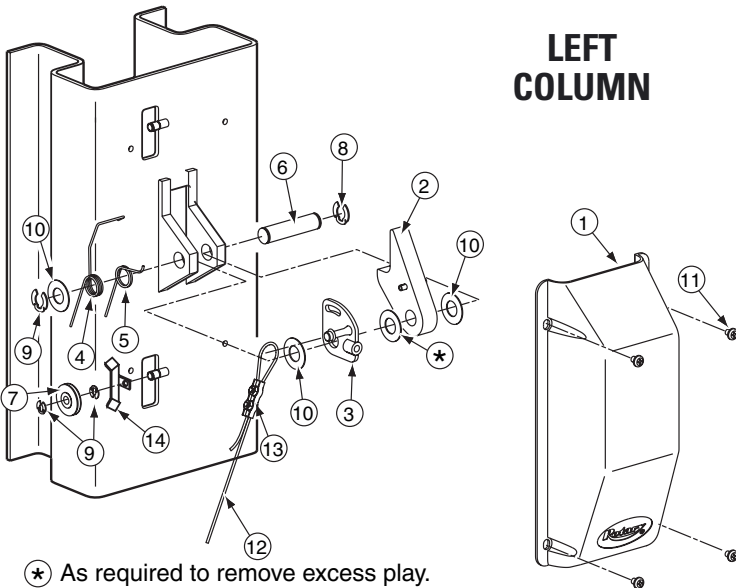


(*) As required to remove excess play.

RIGHT COLUMN

LOCKING LATCH DETAIL PARTS LIST

Item	Description	Part No.
1	Control Side Cover	FJ7452
2	Locking Latch Dog.....	N616
3	Control Plate.....	FJ7594-2
4	Spring	FJ7566-10
5	Spring	FJ7382-9
6	Latch Shaft	FJ7382-34
7	Locking Latch Sheave	FJ7322
8	Handle	FJ7382-18
9	Ball Handle	FC134-91
10	Truarc Klipring #5304-75 (for 3/4" Shaft).....	41411
11	Truarc Klipring #5304-37 (for 3/8" Shaft).....	41410
12	1-1/2" O.D. x 3/4" I.D. x .045" Mach. Bush	41388
13	5/16"-18NC x 3/8" Lg. BHCS (Allen Socket).....	N/A
14	3/8" - 16NC Hex Jam Nut	40658
15	Locking Latch Cable.....	FJ7600
16	1/2" -13NC Jam Nut (Spacer).....	40700
17	Slot Cover	N617
18	Latch Sheave Cover	N64



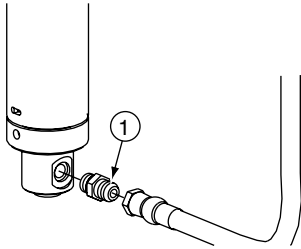
(*) As required to remove excess play.

LEFT COLUMN

LOCKING LATCH DETAIL PARTS LIST

Item	Description	Part No.
1	Latch Cover	FJ7451
2	Locking Latch Dog.....	N616
3	Control Plate.....	FJ7594-2
4	Spring	FJ7566-10
5	Spring	FJ7382-9
6	Latch Shaft	FJ7382-34
7	Locking Latch Sheave	FJ7322
8	Truarc Klipring #5304-75 (for 3/4" Shaft).....	41411
9	Truarc Klipring #5304-37 (for 3/8" Shaft).....	41410
10	1-1/2" O.D. x 3/4" I.D. x .045" Mach. Bush	41388
11	5/16"-18NC x 3/8" Lg. BHCS (Allen Socket).....	N/A
12	Locking Latch Cable..... EH-4 for SPO40	FJ7595-1 FJ7600
13	Latch Cable Clamp	N63-1
14	Latch Sheave Cover	N64

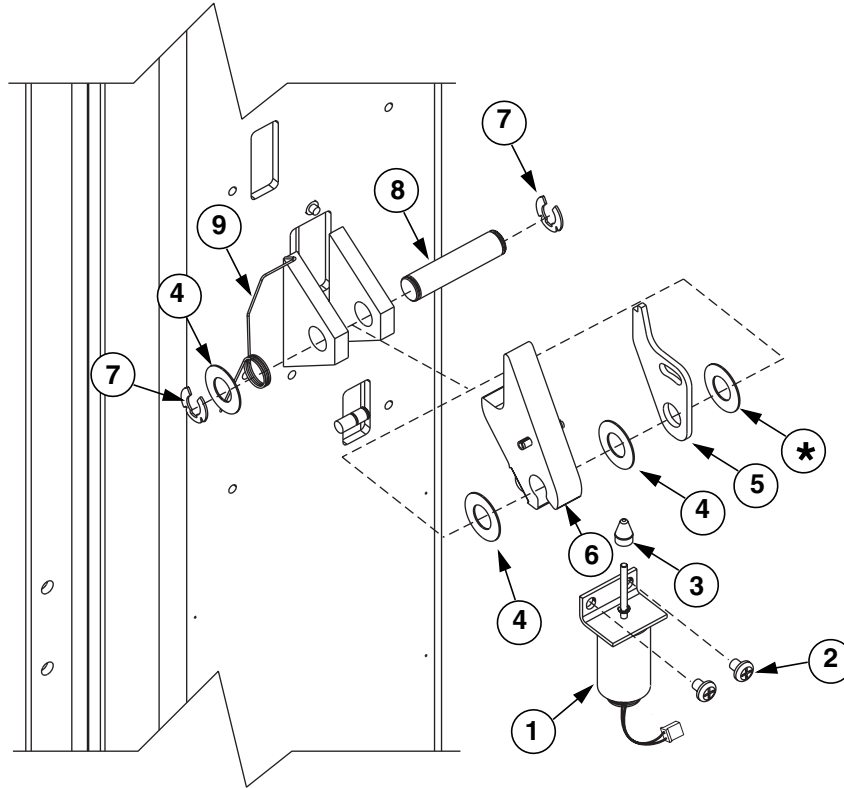
E SERIES PARTS LIST



CYLINDER ADAPTER/HOSE DETAIL PARTS LIST

Item	Description	Part No.
1	Straight Adapter	FJ7352-3

SOLENOID / LOCKING LATCH ASSEMBLY



LOCKING LATCH DETAIL PARTS LIST

Item	Description	Part No.
1	Solenoid	FA7484-6
2	5/16" - 3/8" PHMS	40227
3	Slider	N613-1
4	1-1/2" O.D. x 3/4" I.D. x .045 Mach. Bush.....	41388
5	Latch Control Plate.....	N613-3
6	Locking Latch.....	N616
7	Truarc Klipring #5304-75 (for 3/4" Shaft).....	41411
8	Latch Shaft	FJ7382-34
9	Latch Spring	N613-2

E SERIES PARTS LIST

1 L.H. Column	N752	41 Limit Switch	N411-1
2 R.H. Column	N752	42 3/8" -16NC Flanged Locknut.....	40664
3 R.H. Column Extension		43 Sheave Shaft	FJ7444-8
Standard Height	N470	44 Slider Block Shim.....	N115
EH-1 MODEL	N471	45 Male Extension With O-Ring.....	N332
EH-2 MODEL.....	N472	46 Hose Clip	N383
EH-4 MODEL (SPO40 Only)	N474	47 1/4" -20NC x 2-3/4" Hex Head Bolt.....	40114
L.H. Column Extension		48 1/4" Type A Flat Washer	40780
Standard Height	N485	49 Female Swivel Tee	N331
EH-1 MODEL	N486	50 Switch Bar Assembly	
EH-2 MODEL.....	N487	(SPOA30).....	N415
EH-4 MODEL (SPO40 Only)	N489	(SPOA40/SPO40).....	N467
4 Carriage Yoke.....	N822	51 3/8" -16NC x 1/2" Flanged HHCS	40122
5 Arm Pin	N2154	52 1/4" -20NC x 3/4" HHCS Grade 5	40104
6 1/4" -20NC Locknut	41423	53 1/4" External Tooth Lock Washer	40779
7 71" Hydraulic Cylinder	N382	54 1/4" -20NC Hex Nut.....	40627
*8 Power Unit		55 Limit Switch Assembly.....	N412
1Ø SPO40 (E model)	*P3486	56 3/8" External Tooth Lock washer.....	40845
3Ø SPOA30 (E model).....	*P3487	57 Spring Pin-1/4" dia. x 1-1/2" Lg. (Stainless).....	14427
3Ø SPOA40/SPO40 (E model)	*P3493	58 Hose Grommet.....	FA7180-32
3Ø SPOA30 (S model)	*P3488	59 Screws for Control Panels And Tool Holders	
3Ø SPOA40/SPO40 (S model)	*P3489	5/16" - 3/8" PHMS	10 REQ'D
9 Power Unit Hose	N368	60 Wire Grommet	FA7180-31
10 5/16" -18NC x 1-1/2" HHCS (Full Thread)	40271	61 Mounting Bracket.....	N439
11 Vibration Pad	P1164-3	62 Motor Harness	FA7611
12 5/16" -18NC Hex Nut.....	40670	63 3/8" -16NC x 3/4" Carriage Bolts	N/A
13 Actuator Pin Handle	FJ7985-1	64 Motor Cable	
14 Actuator Pin	N121-1	1Ø	FA7940
15 Retaining Pin.....	N119-3	3Ø	FA7952
16 Arm Restraint Spring	FJ7656-2	65 13" Bumper	FA950
17 Bleeder Screw (Specify Manufacturer)	N/A	66 NA	
18 Carriage Bumper.....	FA941	67 Master Control Assembly.....	FA7425
19 Arm Restraint Pawl.....	N2121	68 Slave Control Cover	FA7706
20 Approach Bumper	FJ927-1	69 Air Tool Holder.....	FA7520
21 5/8" -11NC Hex Lock Nut	40743	70 L.H. Overhead (Outer).....	N480-1
22 Truarc #5304-75 Klipping for 3/4" Shaft.....	41411	71 R.H. Overhead (Inner).....	N481-1
23 Sheave	N377	72 NA	
24 Shim Kit.....	FA5112	73 Slave Control Cable Extension	
25 Sheave Cover	N119-1	2'	FA7805
26 1/4" -20NC x 3/8" Lg. PHMS Plated (2 pcs.).....	40063	4'	FA7806
27 Slider Block.....	FJ7360	74 Slave Harness	FA7705
28 20mm Concrete Anchor	W140210		
29 1-1/2" O.D. x .760-.770" I.D. x .045" Bushing.....	41388		
30 Wiring Chase	FA928		
31 #8-32 Type B x 5/8" Lg. PHTS.	41457		
32 Web Cover.....	FA948		
33 Spacer	FJ7871		
34 Spotting Wheel Dish Kit.....	FF729		
35 N/A	N/A		
36 3/8" -16 NC x 3/4" Long Flanged HHCS	40124		
37 Overhead Hose.....			
Standard	N369		
EH-1/EH-2 MODEL.....	N371		
EH-4 MODEL (SPO40 Only)	N370		
38 Equalizer Cables.....			
SPOA30	N384		
SPOA30 EH-1 MODEL.....	N385		
SPOA30 EH-2 MODEL.....	N386		
SPOA40	N372		
SPOA40 EH-1 MODEL.....	N378		
SPOA40 EH-2 MODEL.....	N373		
SPO40.....	N374		
SPO40 EH-1 MODEL.....	N379		
SPO40 EH-2 MODEL.....	N375		
SPO40 EH-4 MODEL.....	N376		
39 Horse Shoe Shim	FJ716-6		
40 Front Shim	FJ659-3		

*Notes: E or S Model?

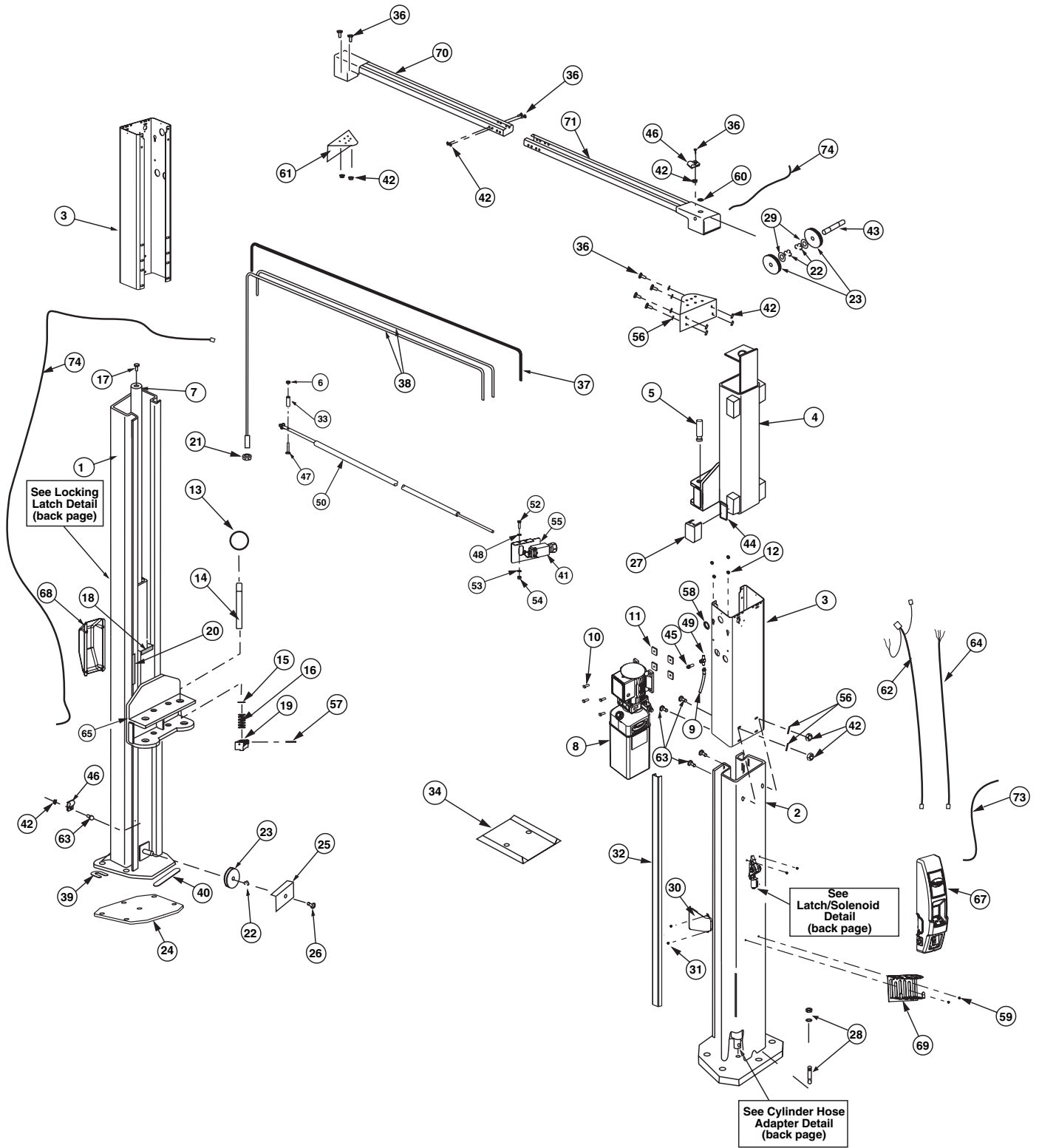
To find out if you have an E or S model Power Unit look at the 4th letter from the end of your lift model number.

EXAMPLE: SPOA30**EE**585 would be an E Model.

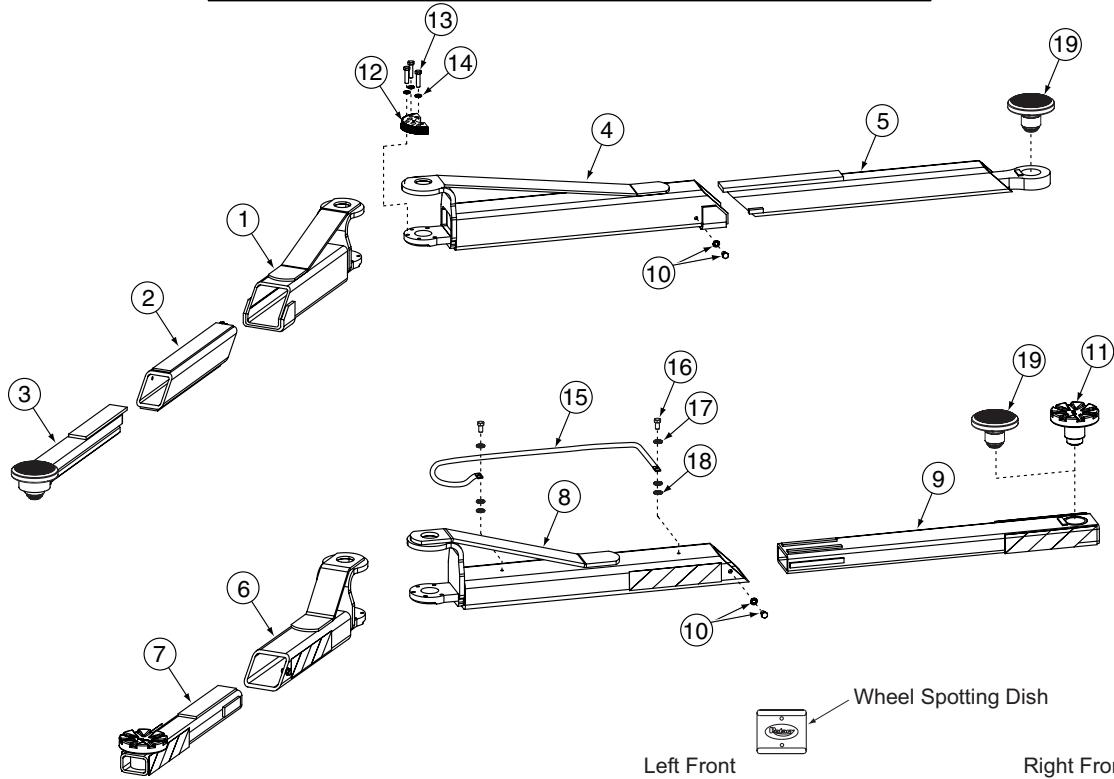


Model number can be found on a tag on the side of the lift.

E SERIES PARTS LIST




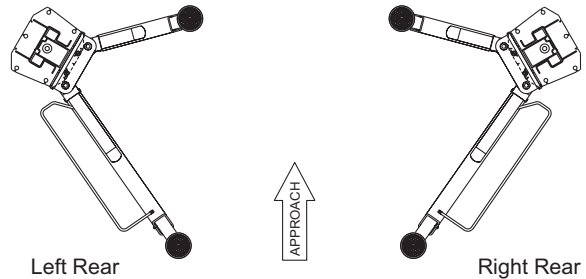
SPOA30/SPOA40/SPO40 ARM DETAIL



ARM DETAIL PARTS LIST

1	Front Outer 3-Stage Arm SPOA30/SPOA40 (5GX Series)	N2224-1
2	Front Middle 3-Stage Arm SPOA30/SPOA40 (5GX Series)	N2220-10
3	Front Inner 3-Stage Arm SPOA30/SPOA40 (5GX Series)	N2220-6
4	Rear Outer Arm SPOA30/SPOA40 (5GX Series)	N2225-1
5	Rear Inner Arm SPOA30/SPOA40 (5GX Series)	N2225-4
6	Front Outer Arm SPOA30	N2190-1
	SPOA40	N2192-1
	SPO40	N2194-1
7	Front Inner Arm SPOA30	N284-1
	SPOA40	N286-1
	SPO40	N288-1
8	Rear Outer Arm SPOA30	N2191-1
	SPOA40	N2193-1
	SPO40	N2194-1
9	Rear Inner Arm SPOA30	N285-1
	SPOA40	N287-1
	SPO40	N288-1

 Wheel Spotting Dish
 Left Front Right Front



10	Stop Bolt Assembly 3/8" Internal Tooth Washer	40843
	3/8" -16NC x 5/8" Lg. HHCS Gr. 8, Plated	40155
11	Adapter Assembly	FJ6166
	Low Profile Adapter Assembly	FJ6191
12	Restraint Gear	N2122
13	3/8" -16NC x 1-1/2" HHCS Gr. 5, Plated	40200
14	3/8" Medium Spring Lock Washer	40818
15	Arm Guard SPOA30 (Rear)	N244-4
	SPOA40 (Rear)	N246-4
	SPO40 (Left Front/Right Rear/Left Rear)	N244-4
	SPO40 (Right Front)	N247-4
16	5/16" -18NC x 3/4" Lg. HHCS	40252
17	5/16" Medium Spring Lock Washer	40850
18	5/16" Flat Washer SAE Standard, Plated	40856
19	Low Profile 3-Stage Adapter	FJ6202