



Mechanical safety device with automatic engagement and pneumatic disengagement, which prevents accidental lowering of the load, ensuring maximum safety during parking.

Slowed platform movement speed during initial lifting and lowering phases.



PATENTED

The hydraulic synchronization of the platform movements is independent of the load distribution, **with a patented self-adjusting device**.

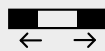
Hinge pins with self-lubricating bush that do not require maintenance.



No mechanical connections between the platforms (maximum operability in the work area).



Acoustic signaling during final lowering.



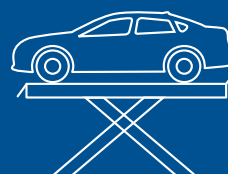
High capacity model **with longer lifting plates**



Forged scissor ends to grant **maximum resistance to load**.

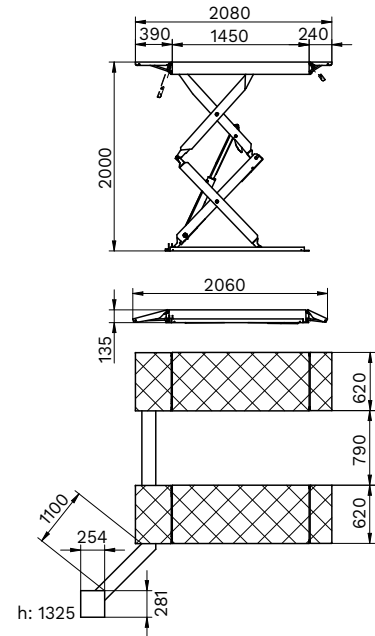
Recessed version.

The low profile platforms allow for recessed installations even where it would not be possible to create pits of the usual depth for this type of lift.



Technical data

| | RAV540 |
|---------------------|-------------------------|
| | RAV.540XX.195234 |
| Capacity | 4000 kg |
| Max. lifting height | 2000 mm |
| Lifting time | 46 s |
| Lowering time | 27 s |
| Drive-on-height | 135 mm |
| Length of platforms | 2060 mm |
| Width of platforms | 620 mm |
| Height of platforms | 135 mm |
| Space of platforms | 790 mm |
| Driving power | 1x2,6 Kw |
| Power Supply | 230/400 V 50 Hz |
| Phases | 3 Ph |
| Noise level | ≤70 dB(A) |
| Length | 2080 mm |
| Width | 2030 mm |
| Height | 2000 mm |
| Weight | 850 kg |



Accessories



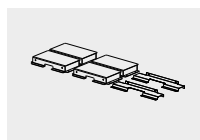
S505A2
2 traverse beams for vans
and off-road vehicles



S540A1
Kit with additional run
up ramps for low ground
clearance vehicles



S518A2
Hose cover for surface in-
stallation - length 1 meter



S540A2
Recessed installation kit

RAV Italy

Vehicle Service Group Italy S.r.l.

Via Filippo Brunelleschi 9
44020 Ostellato (FE)
Italy

+39.051.6781511
+39.051.846349
rav@ravaglioli.com

RAV France

RAV France SARL

4, Rue De Longue Raie
ZAC de la Tremblaie
91220 Le Plessis Pâté
France

+33.1.60.86.88.16
+33.1.60.86.82.04
Info.fr@ravaglioli.com

RAV Germany

BlitzRotary GmbH

Hüfinger Straße 55
78199 Bräunlingen
Germany

+49.771.9233.0
+49.771.9233.99
ravd@ravaglioli.com

RAV UK

Vehicle Service Group UK Ltd

3 Fourth Avenue,
Bluebridge Industrial Estate
Halstead, Essex, CO9 2SY
United Kingdom

+44.1787.477711
+44.1787.477720
rav@ravaglioli.com