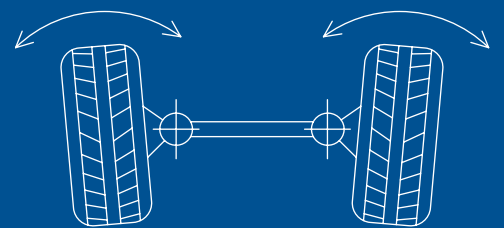
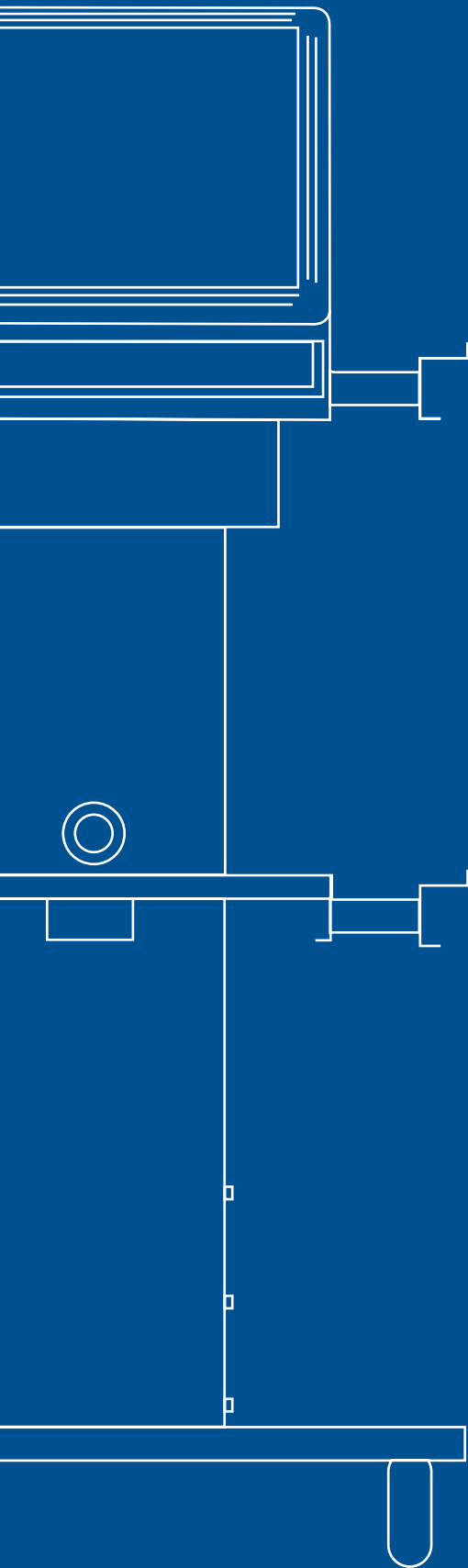


WHEEL ALIGNERS
CCD aligners





Open cabinet:

greater control and
manoeuvrability

Compact design:

extra-light CCD
measuring heads (2.6 kg),
30% less compared to
the previous model

Smart technology:

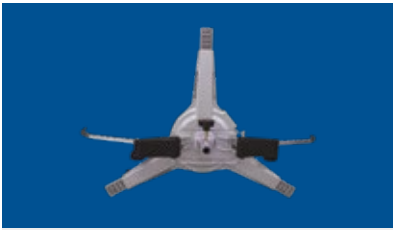
software with updated graphics,
intuitive user interface, animations
and adjustment aids so work is
rapid and effective



Wheel aligners **equipped with CCD sensors, with data transmission via Bluetooth** and powered by fast-charge batteries. The trailer-mounted cabinet provides full mobility between work stations **as it is cable-free.**

WHEEL ALIGNERS

CCD aligners



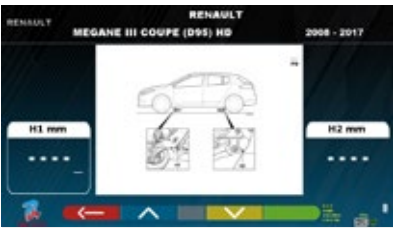
Models equipped with 3-point clamps (STDA35E) allow the run out compensation procedure to be skipped to speed up the operator's activity and maximise workshop efficiency.



Electronic steering procedure via the CCD sensors to get the incidence value and tilt of the upright with extreme precision.



The Spoiler Program for low profile sports cars steps in automatically and makes measurement possible without the use of accessories.



Based on the height of the frame, the database automatically changes the wheel alignment specifications.



With the use of animated 3D graphics, the Movie program helps the user display the sequence of operations to perform to properly adjust the vehicle.



The rapid diagnosis of the frame's misalignment allows any problems with the body or shift of the rear axle to be highlighted (on 8-sensor models only).



Model RAVTD5060WS

<p>Program for managing and displaying data in Microsoft Windows environment.</p>	<p>Databank with over 90000 vehicle technical data sheets.</p>
<p>Possibility for the user to manually enter new cars.</p>	<p>Customer databank for recording 20000 operations with search by name or vehicle plate number.</p>

The Run out program is available to push the vehicle 30° (rapid compensation and in little off-centre space)* without the need to lift the vehicle.

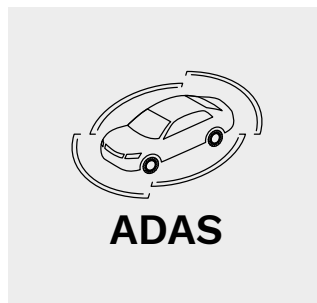
Ø 500mm	→ 150mm
Ø 600mm	→ 170mm
Ø 700mm	→ 200mm
Ø 800mm	→ 230mm



Compatible with:



Software platform for connecting shop equipment and for monitoring its use, managing preventive maintenance, sending reports by email and much more.



ADAS (Advanced Driver Assistance Systems) sensor calibration systems.

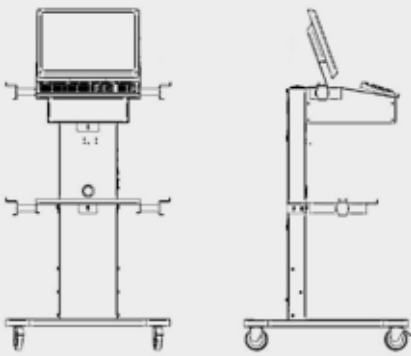


Token for consulting the car database online. Available in the following countries: Denmark, the Netherlands, Germany (KBA), Sweden, Italy, Spain, Portugal, Ireland, New Zealand, Australia, Norway and Finland.

MODEL OVERVIEW			STANDARD EQUIPMENT		
	Item no.	Color	Console composition	CCD sensors	Clamps
RAVTD5080WS.3	RAV.TD508.700827	RAL7040	Computer- Keyboard Monitor 22" - Printer Battery charger	8	3-point
RAVTD5080WS.4	RAV.TD508.700766	RAL7040	Computer- Keyboard Monitor 22" - Printer Battery charger	8	4-point
RAVTD5060WS.3	RAV.TD506.700858	RAL7040	Computer- Keyboard Monitor 22" - Printer Battery charger	6	3-point
RAVTD5060WS.4	RAV.TD506.700797	RAL7040	Computer- Keyboard Monitor 22" - Printer Battery charger	6	4-point

(Models may vary in the different countries.)

Technical data



RAVTD5080WS - RAVTD5060WS

	RAVTD5080WS	RAVTD5060WS
Individual toe front/rear axle	+/- 20°	+/- 20°
Total toe	+/- 20°	+/- 20°
Toe-out on turns	+/- 20°	+/- 20°
Camber front/rear axle	+/- 10°	+/- 10°
Caster	+/- 18°	+/- 18°
SAI	+/- 18°	+/- 18°
Set-back	+/- 5°	Not applicable
Set-back front axle	+/- 5°	+/- 5°
Thrust angle	+/- 5°	+/- 5°
Min. tyre size	8"	8"
Max. tyre size	24"	24"
Max. wheel base	4500 mm	4500 mm
Display	LCD	LCD
Display size	22"	22"
Data transmission type	cordless	cordless
Measuring system	CCD	CCD
Sensor count	8	6
Power supply	230 V 50 - 60 Hz	230 V 50 - 60 Hz



Accessories

For information on accessories, please refer to the dedicated documentation.

Notes



RAV Italy

Vehicle Service Group Italy S.r.l.

Via Filippo Brunelleschi 9
44020 Ostellato (FE)
Italy

☎ +39.051.6781511
☎ +39.051.846349
✉ rav@ravaglioli.com

RAV France

RAV France SARL

4, Rue De Longue Raie
ZAC de la Tremblaie
91220 Le Plessis Pâté
France

☎ +331.60.86.88.16
☎ +331.60.86.82.04
✉ rav@ravfrance.fr

RAV Germany

BlitzRotary GmbH

Hüfingener Straße 55
78199 Bräunlingen
Germany

☎ +49.771.9233.0
☎ +49.771.9233.99
✉ ravd@ravaglioli.com

RAV UK

Vehicle Service Group UK Ltd

3 Fourth Avenue,
Bluebridge Industrial Estate
Halstead, Essex, CO9 2SY
United Kingdom

☎ +44.1787.477711
☎ +44.1787.477720
✉ rav@ravaglioli.com

DRF26U(01)

