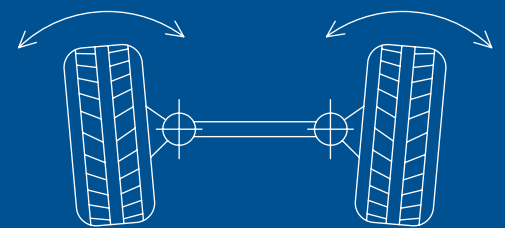
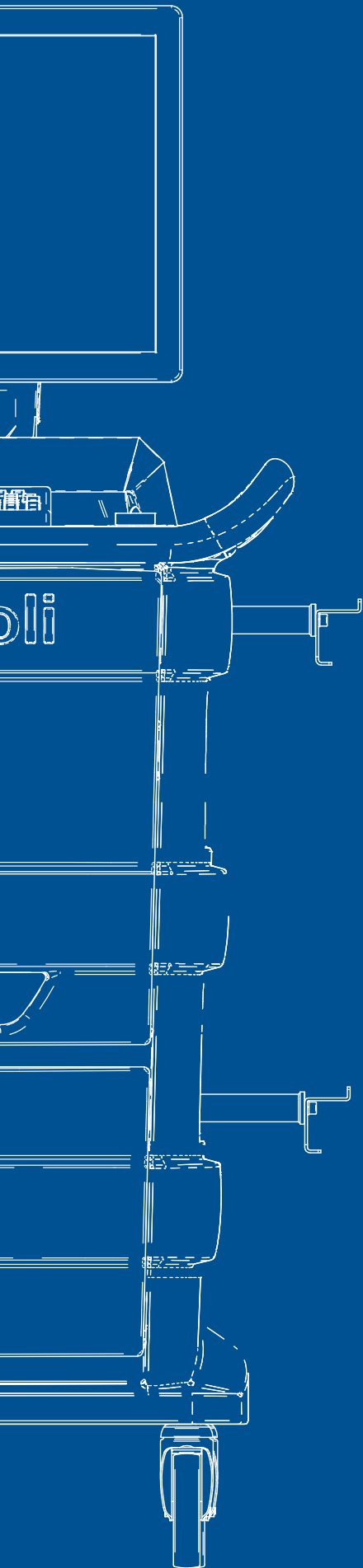


# TD3200 Series The New Power of 3D Aligners





## **New 3D measuring heads:**

more compact and better  
performing

## **Eco Cabinet:**

cabinet made with low  
environmental impact material  
(models HP, HPR and SP)

## **Smart technology:**

software with updated graphics,  
intuitive user interface,  
animations and adjustment aids  
so work is rapid and effective

The **TD3200** series is the second generation of Ravaglioli 3D wheel aligners. Its **innovative system of 3D cameras** with Bluetooth transmission can be used on different types of lifts thanks to its automatic flatness compensation. Its **compact size** also makes it suitable for those workshops having limited space.

# WHEEL ALIGNERS

3D aligners



The 3D measuring heads integrated with the lift allow measurements to be taken obstacle-free.



Bluetooth communication between the 3D measuring heads and the console with PC.

## More efficient workshop in terms of space and operations:



**NO OBSTACLE.**  
Maximization of the workspace.



**FAST TRANSMISSION.**  
Effective even in critical lighting conditions.



**MINIMUM EFFORT.**  
Rapid compensation and in little off-centre space.



**VERSATILE WHEEL ALIGNER.**  
One aligner for multiple working bays.

### Features of the 3D measuring heads:



LCD display for essential information



Five keys for software navigation, also remote controllable



Measurement and automatic lift flatness compensation with high resolution cameras



Remote control function




LED repeaters to assist recording



Only one head installation position to measure different wheelbase vehicles



Weight 3 kg



**Battery replacement with a quick release system.**

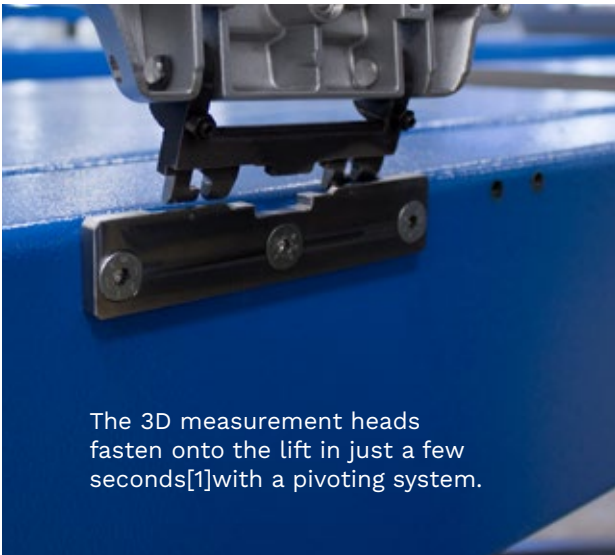
**The battery lifetime**



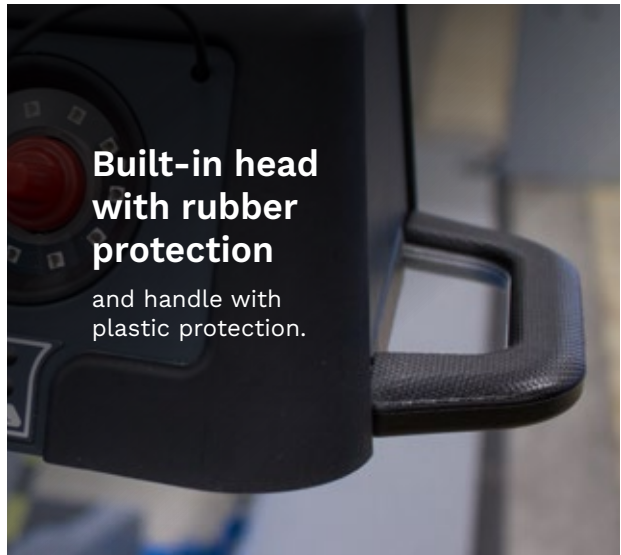
**8**

**HOURS**

offers the freedom of working a full day without any interruptions.



The 3D measurement heads fasten onto the lift in just a few seconds[1]with a pivoting system.



**Built-in head with rubber protection**

and handle with plastic protection.



## Compartments designed

to perfectly adapt to the 3D measurement heads without becoming lost or damaged.  
(Models RAVTD3200HPR-HP and RAVTD3200SP)



## Management software and simple,

intuitive display in Microsoft Windows environment. The high resolution graphics make the user experience simple and intuitive.



### MODEL OVERVIEW

### STANDARD EQUIPMENT

	Item no.	Colour	Cabinet	Clamps
RAVTD3200HPR.3	RAV.D32HP.700926	RAL5005	closed	3-point
RAVTD3200HPR.3	RAV.D32HP.700933	RAL7040	closed	3-point
RAVTD3200HP.3	RAV.D32HP.700940	RAL5005	closed	3-point
RAVTD3200HP.3	RAV.D32HP.700957	RAL7040	closed	3-point
RAVTD3200SP.3	RAV.D32SP.700902	RAL5005	closed	3-point
RAVTD3200SP.3	RAV.D32SP.700919	RAL7040	closed	3-point
RAVTD3200SP.4	RAV.D32SP.700988	RAL5005	closed	4-point
RAVTD3200SP.4	RAV.D32SP.700995	RAL7040	closed	4-point
RAVTD3200L.3	RAV.D32LT.700964	RAL7040	open	3-point
RAVTD3200L.4	RAV.D32LT.700971	RAL7040	open	4-point



**Eco Cabinet with doors fitted with dampers:** safety and comfort for the operator.



**Optimised space** for higher productivity.

**Screen 27".**

**Easy to reach battery charger.**

**Keyboard and mouse compartment.**

**Compartment for printer (included).**

**Large handles** provide a secure and comfortable grip.

**Wheel diameter 125 mm.**

Model RAVTD3200HPR-HP



**Screen 22".**

**Easy to reach battery charger.**

**Compartment for storing keyboard.**

**Compartment for printer (included).**

**Large handles** provide a secure and comfortable grip.

**Wheel diameter 100 mm.**

Model RAVTD3200SP



**Screen 22".**



**Open and lightweight cabinet** for greater manoeuvrability.

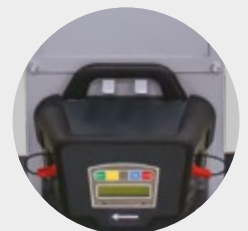


**Optimised space** for storing equipment.

Model RAVTD3200L



**Easy to reach battery charger.**



**Dedicated hooks** for greater safety of the 3D measuring heads.

**Wheel diameter 100 mm.**



# WHEEL ALIGNERS

3D aligners



## International data bank

with vehicle technical data sheets and possibility to create a customer database for adjustment recording.

## Compatible with:



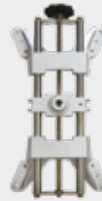
## Quick and accurate measurement.

The 3D measuring heads instantly read all vehicle angles with maximum precision.

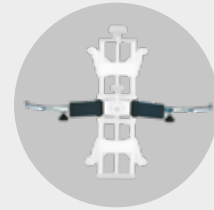
## Two types of clamps available:



Set of 4 self-centring **3-point clamps** with push rods made of ABS, which guarantees high strength and lifetime.



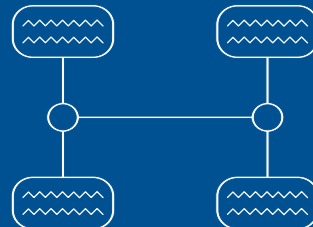
Set of 4 self-centring **4-point clamps**.



+ **STDA38K** allows you to avoid the run out procedure. (Optional for self-centring 4-point clamps)



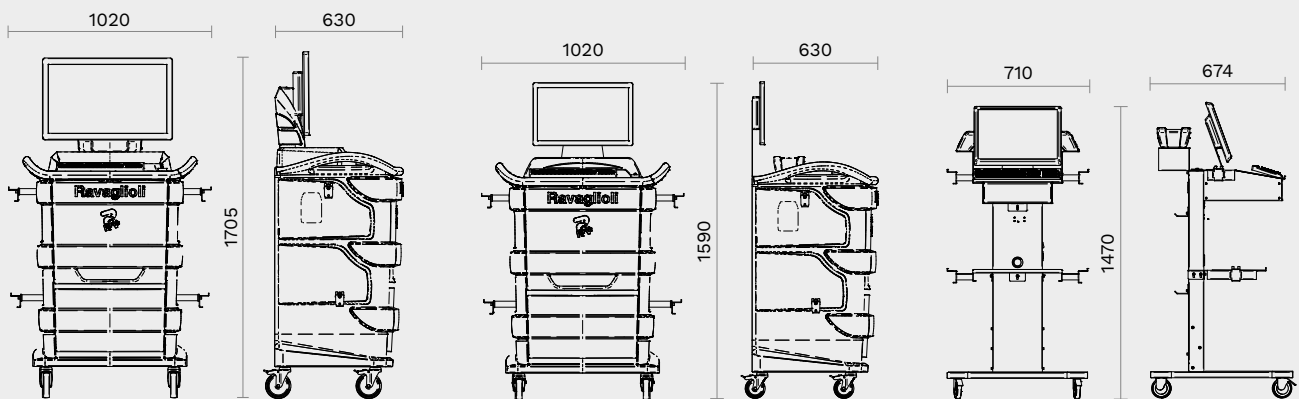
The **3D targets** installed on the clamps are extremely **lightweight**, maintenance-free and have no electronic components.



The **Real 3D targets** allow the run out compensation procedure to be skipped to speed up the operator's activity and maximize workshop efficiency.



# Technical data



	<b>RAVTD3200 HPR-HP SP L</b>
Individual toe front/rear axle	+/- 20°
Total toe	+/- 20°
Toe-out on turns	+/- 20°
Camber front/rear axle	+/- 10°
Caster	+/- 18°
SAI	+/- 18°
Set-back	+/- 5°
Set-back front axle	+/- 5°
Geometric centre line	+/- 5°
Thrust angle	+/- 5°
Max. steering angle	+/- 50°
Min. tyre size	8"
Max. tyre size	24"
Max. wheel diameter	910 mm
Max. wheel base	4.500 mm

# Accessories



**STDA161**  
Plastic steering wheel lock with non-slip rubber guards for steering wheel and seat.



**STDA35E 8" - 24"**  
Pair of self-centring 3-point clamps, without compensation.



**STDA33EU 10" - 24"**  
Pair of self-centring 4-point clamps, grabbing, including removable claws.



**STDA158**  
WHEELALIGNMENT-ON  
Wi-Fi antenna including USB key.

		<b>RAVTD3200</b>					
		HPR	HP	SP.3	SP.4	L.3	L.4
	<b>STDA35E/3D</b> Self-centring 3-point clamps with quick locking arms	<b>S</b>	<b>S</b>	<b>S</b>	-	<b>S</b>	-
	<b>STDA33EU/3D</b> 4-point clamps	-	-	-	<b>S</b>	-	<b>S</b>
	<b>STDA38K</b> Set of quick locking arms to upgrade 4-point clamps (4 pieces)	-	-	-	<b>O</b>	-	<b>O</b>
	<b>STDA124</b> Pair of premium turn tables HD Ø 360 mm	<b>S</b>	<b>S</b>	<b>O</b>	<b>O</b>	<b>O</b>	<b>O</b>
	<b>S110A7</b> Pair of standard turn tables Ø 300 mm	-	-	<b>S</b>	<b>S</b>	<b>S</b>	<b>S</b>
	<b>STDA149</b> Kit of 4 spirit levels for targets	<b>S</b>	<b>O</b>	<b>O</b>	<b>O</b>	<b>O</b>	<b>O</b>
	<b>STDA162</b> Kit of lift mounting brackets (2 pieces)	<b>S</b>	<b>S</b>	<b>S</b>	<b>S</b>	<b>S</b>	<b>S</b>
	<b>STDA160</b> Kit containing 2 batteries	<b>S</b>	<b>O</b>	<b>O</b>	<b>O</b>	<b>O</b>	<b>O</b>
	<b>STDA110</b> Vehicle data bank	<b>S</b>	<b>S</b>	<b>S</b>	<b>S</b>	<b>S</b>	<b>S</b>
	<b>2 YEARS FREE</b> Database update	<b>S</b>	-	-	-	-	-
	<b>STDA141</b> Token (software licence) to use with on smartphones/tablets	<b>S</b>	<b>O</b>	<b>O</b>	<b>O</b>	<b>O</b>	<b>O</b>
	<b>STDA141ADAS</b> Advanced enabling of ADAS functions	<b>S</b>	<b>O</b>	<b>O</b>	<b>O</b>	<b>O</b>	<b>O</b>
	<b>STDAShoot</b> Token for consulting database on-line	<b>O</b>	<b>O</b>	<b>O</b>	<b>O</b>	<b>O</b>	<b>O</b>
	<b>STDA PREMIUM</b> Token for additional functions	<b>S</b>	<b>S</b>	<b>O</b>	<b>O</b>	<b>O</b>	<b>O</b>
	<b>10479</b> Brake pedal depressor	<b>S</b>	<b>S</b>	<b>S</b>	<b>S</b>	<b>S</b>	<b>S</b>
	<b>STDA161</b> Steering wheel lock	<b>S</b>	<b>S</b>	<b>S</b>	<b>S</b>	<b>S</b>	<b>S</b>
	<b>STDA158</b> WHEELALIGNMENT-ON (Wi-fi USB flash drive included)	<b>S</b>	<b>S</b>	<b>S</b>	<b>S</b>	<b>S</b>	<b>S</b>

**S** Standard    **O** Optional    - Not applicable



### **RAV Italy**

Vehicle Service Group Italy S.r.l.

Via Filippo Brunelleschi 9  
44020 Ostellato (FE)  
Italy

☎ +39.051.6781511  
☎ +39.051.846349  
✉ rav@ravaglioli.com

### **RAV France**

RAV France SARL

4, Rue De La Longue Raie  
ZAC de la Tremblaie  
91220 Le Plessis Pâté  
France

☎ +33.1.60.86.88.16  
☎ +33.1.60.86.82.04  
✉ rav@ravfrance.fr

### **RAV Germany**

BlitzRotary GmbH

Hüfingener Straße 55  
78199 Bräunlingen  
Germany

☎ +49.771.9233.0  
☎ +49.771.9233.99  
✉ ravd@ravaglioli.com

### **RAV UK**


Vehicle Service Group UK Ltd

3 Fourth Avenue,  
Bluebridge Industrial Estate  
Halstead, Essex, CO9 2SY  
United Kingdom

☎ +44.1787.477711  
☎ +44.1787.477720  
✉ rav@ravaglioli.com

DRF20U(01)

Technical data and composition presented in this catalogue may vary.  
Pictures reproduced are only indicative.  
Photo credits: Technik Auto Service - Autoquip Garage Equipment / Brands Hatch

Member of VSG - Vehicle Service Group  
a  company

