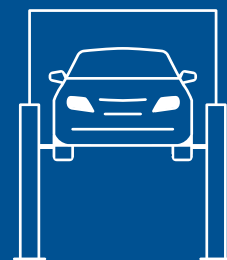


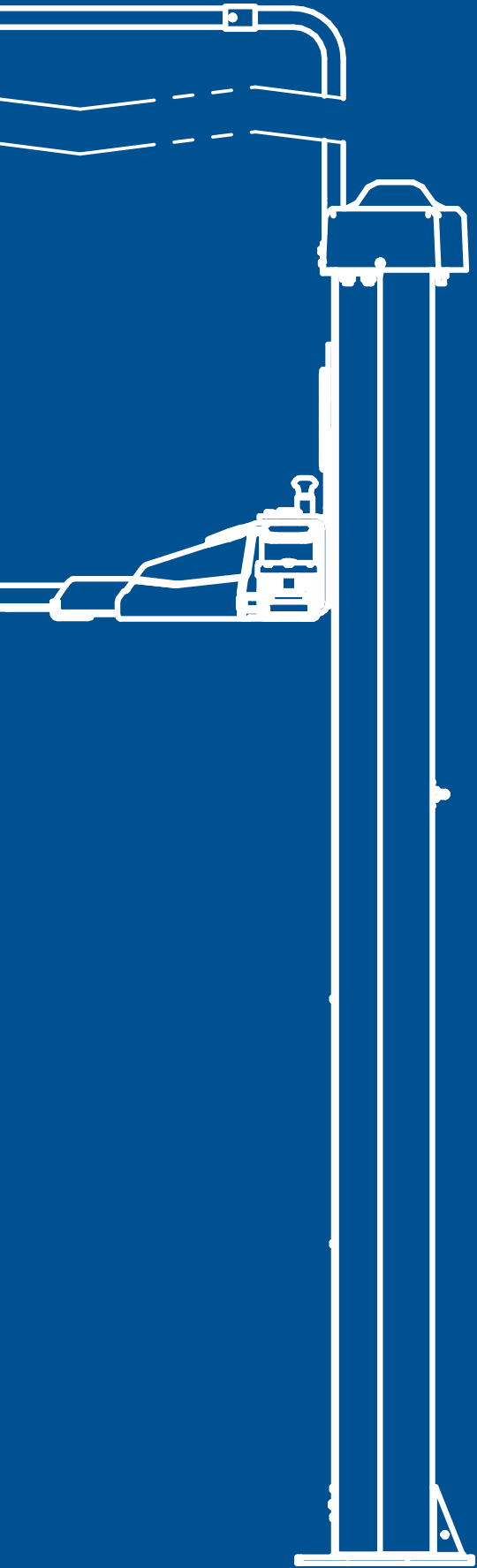
2-POST LIFTS
Electromechanical

From History to the Future



 **Ravaglioli**

LEGEND SERIES
KPE32



Modern design:

clean and linear column profile with internal carriage

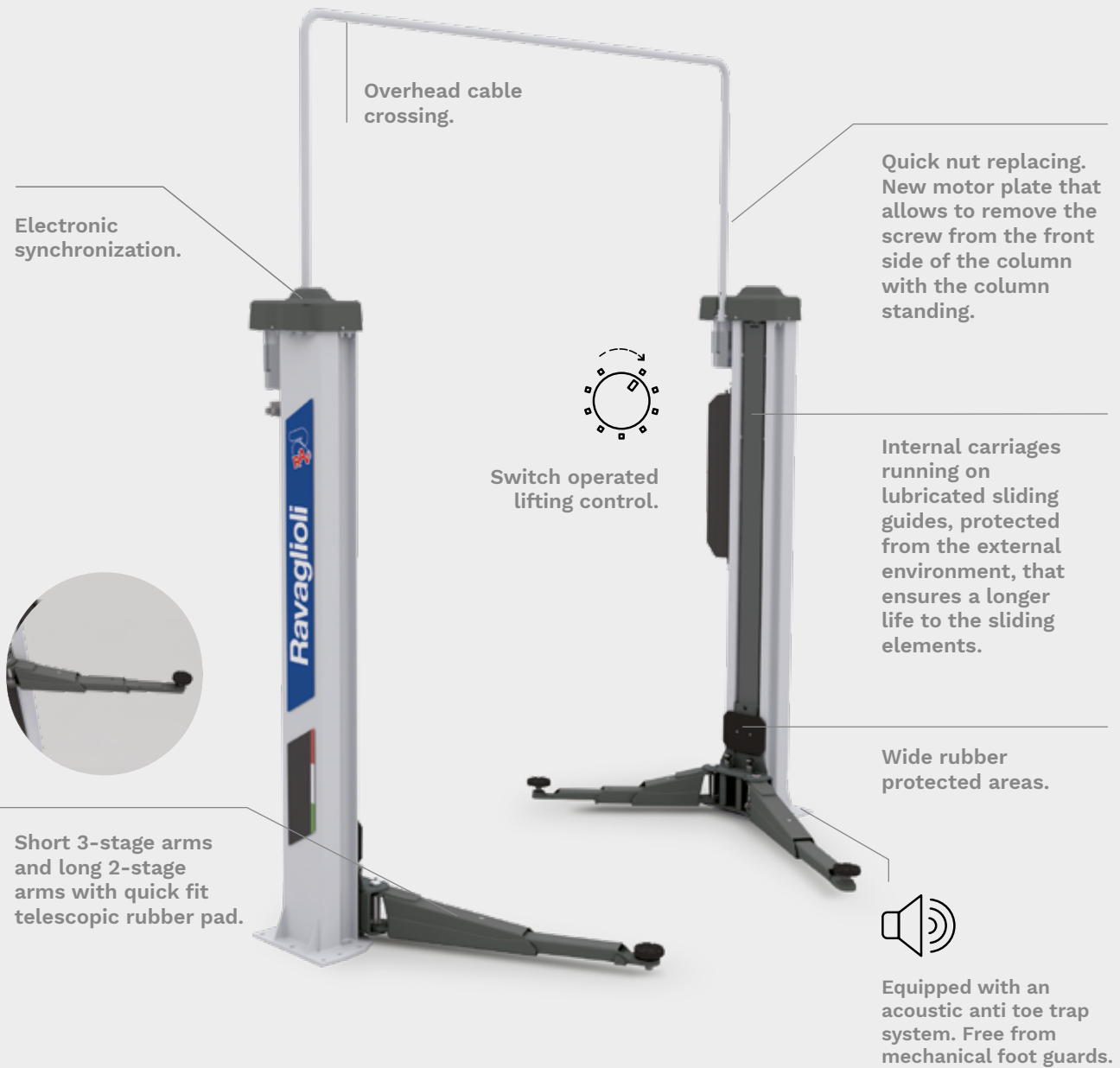
Innovative DNA:

long-lasting high-quality components and tested for 20000 cycles

Space optimisation:

ultimate ergonomics thanks to the electronic foot guard

Emerging from the best selling 2-post lifts, the **Legend Series** consolidates the **engineering knowledge** of Ravaglioli and shapes it into an **innovative package**. **Looking towards the future while always honouring the past**, Ravaglioli has set an important goal for itself - let the performance meet the design.



Premium quality of components.



Aluminum pulley with cooling function.



Long lasting bearings.



50% longer, bronze load nut.



Motors with reinforced and cooling casing.



Solid automatic arm locking.

KPE32

The geometry of the arms was designed to lift anything from city to long-wheelbase cars.



3.2



Quick and easy operations.

The working bay is free of obstacles and the operations can be performed safely and comfortably.

A pair of outrigger plates for floors not compliant with installation requirements is available upon request.

Minimum routine maintenance.

The operating parts require little time for easy replacement or maintenance reducing the risk of error on safety elements.

Ravaglioli

Guaranteed safety and quality over the time.

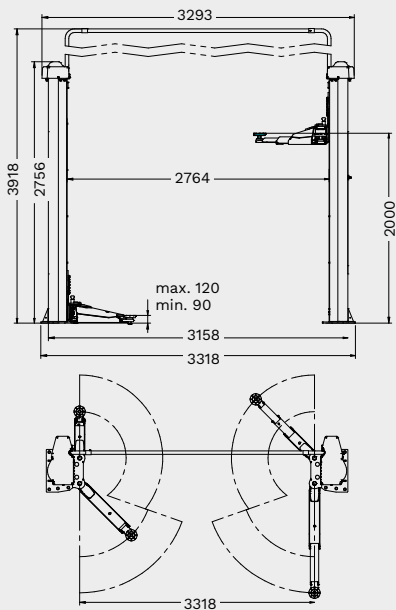
The lift is equipped with premium components that guarantee durability and maximum safety for the operator.

Quick installation.

Up to 20% improvement in installation time. The electronic synchronization avoids the installation and adjustment of the realignment cable. Possibility to install without gantry since cables can be placed inground.



Technical Data



	KPE32
Capacity	3200 kg
Max. lifting height	2000 mm
Lifting time	42 s
Min. pad height	90 mm
Max. pad height	120 mm
Column height	2756 mm
Drive-through width	2468 mm
Min. ceiling height	4050 mm
Arm layout	asymmetric
Min. front arm length	511 mm
Max. front arm length	914 mm
Min. rear arm length	805 mm
Max. rear arm length	1203 mm
Width	3318 mm
Height	3918 mm

	Item no.	Control	Driving power	Power supply
KPE32	RAV.KPE32.198662	rotating switch	2x2.6 kW	400 V 50 Hz
KPE32 (400/3/60Hz)	RAV.KPE32.198747	rotating switch	2x3.5 kW	400 V 60 Hz

Accessories



VSG.2CALL.901071
Kit containing 8 spacers for pads
4 spacers x H 89 mm + 4 spacers x H 127 mm, 2 spacer support brackets



VSG.2CALL.901248
Kit containing 4 spacers for pads
4 spacers x H 200 mm, 2 spacer support brackets



VSG.2CALL.901163
Kit with frame engaging adapters
1 set with 4 pieces



VSG.2CALL.901330
Kit with U-shaped frame engaging adapters
1 set with 4 pads



VSG.2CALL.901538
Kit with pads for TESLA vehicles
1 set with 4 pads



VSG.2CALL.901859
Mercedes G class support pads kit
1 set of 4 pads



VSG.2CALL.902023
Kit with pads for Fiat 500E, 500 ABARTH
1 set with 4 pads



VSG.2CALL.902146
Kit with pads for MEB platform
1 set with 4 pads



VSG.2CALL.901712
Sprinter/crafter support pads kit
1 set with 6 pads, for Mercedes Sprinter and Volkswagen Crafter old and new series



VSG.2CALL.901606
Ducato/boxer/jumper support pads kit
1 set of 4 pads, 2 front and 2 rear



VSG.2CALL.901361
Outrigger plates kit (3.2 t)
Set of 2 plates, allowing installation on floors with poor capacity or lower concrete thickness



VSG.2CELM.902344
Kit for increasing overhead cable passage height
Up to + 1.5 m



VSG.2CELM.901927
Eyebolt for handling columns (3.2 t - 3.5 t - 4.2 t)
It facilitates installation of the lift, can be used again for other installations



VSG.2CELM.902498
Inground cable connection kit
Allows columns connection cables to be placed inground, eliminating the overhead connecting pipes and height restrictions. Ideal for workshops with low ceilings



VSG.2CALL.902818
Vehicles lift platforms kit
1 set with 4 ramps, ramp height 60 mm



VSG.2CALL.902085
Kit of stands for alignment
1 set with 4 stands



VSG.2CALL.902641
Magnetic tray
1 set with 2 trays



RAV Italy

Vehicle Service Group Italy S.r.l.

Via Filippo Brunelleschi 9
44020 Ostellato (FE)
Italy

☎ +39.051.6781511
☎ +39.051.846349
✉ rav@ravaglioli.com

RAV France

RAV France SARL

4, Rue De Longue Raie
ZAC de la Tremblaie
91220 Le Plessis Pâté
France

☎ +331.60.86.88.16
☎ +331.60.86.82.04
✉ rav@ravfrance.fr

RAV Germany

BlitzRotary GmbH

Hüfingener Straße 55
78199 Bräunlingen
Germany

☎ +49.771.9233.0
☎ +49.771.9233.99
✉ ravd@ravaglioli.com

RAV UK

Vehicle Service Group UK Ltd

3 Fourth Avenue,
Bluebridge Industrial Estate
Halstead, Essex, CO9 2SY
United Kingdom

☎ +44.1787.477711
☎ +44.1787.477720
✉ rav@ravaglioli.com

DRD43U(01)

