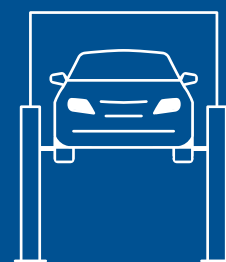


2-POST LIFTS
Electromechanical

From History to the Future



 **Ravaglioli**

LEGEND SERIES
KPX32 - KPX35



Up-to-date design:

modern outline that brings modernity and usability to the workshop

Innovative DNA:

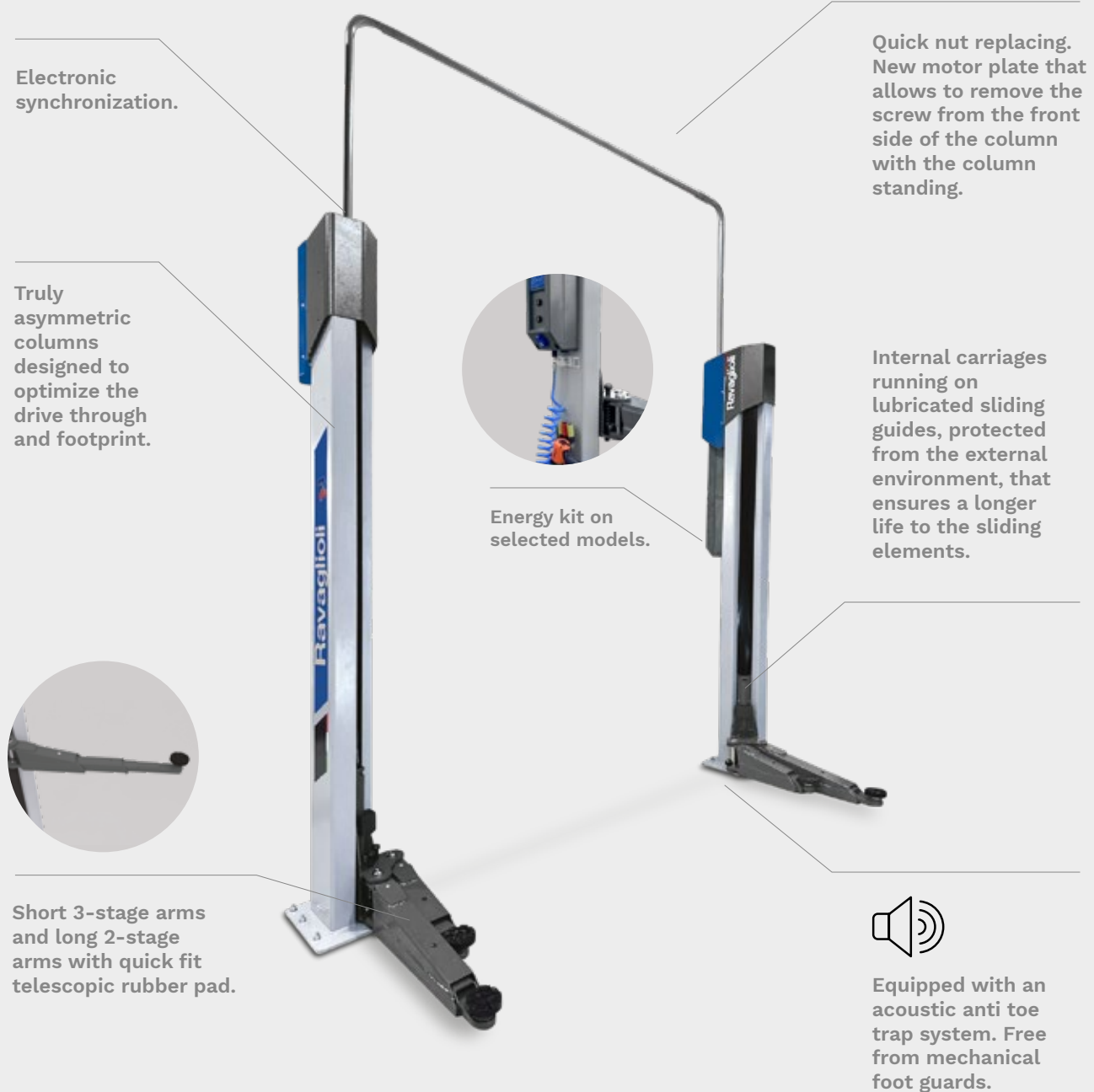
long-lasting high-quality components and tested for 20000 cycles

Future proof:

lifts designed for the TEq-Link workshop connectivity system



Emerging from the best selling 2-post lifts, the **Legend Series** consolidates the **engineering knowledge** of Ravaglioli and shapes it into an **innovative package**. **Looking towards the future while always honouring the past**, Ravaglioli has set an important goal for itself - let the performance meet the design.



Premium quality of components.



Aluminum pulley with cooling function.



Long lasting bearings.



50% longer, bronze load nut.



Motors with reinforced and cooling casing.



Solid automatic arm locking.



KPX32

The geometry of the arms was designed to lift anything from city to longwheelbase cars.



3.2



KPX35

The geometry of the arms has been designed to lift anything from city cars to long wheel base medium vans.



3.5



Push buttons control (up/down) at an ergonomic height.



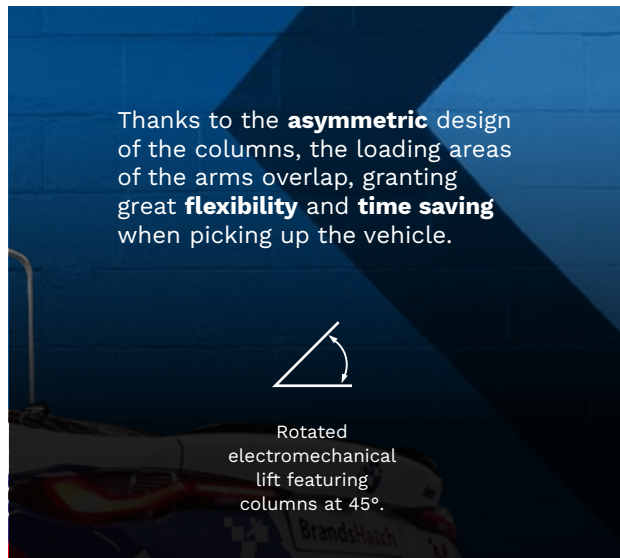
Easy door opening.
The vehicle can be placed backward without any worries about damaging the vehicle itself.



Thanks to the **asymmetric** design of the columns, the loading areas of the arms overlap, granting great **flexibility** and **time saving** when picking up the vehicle.



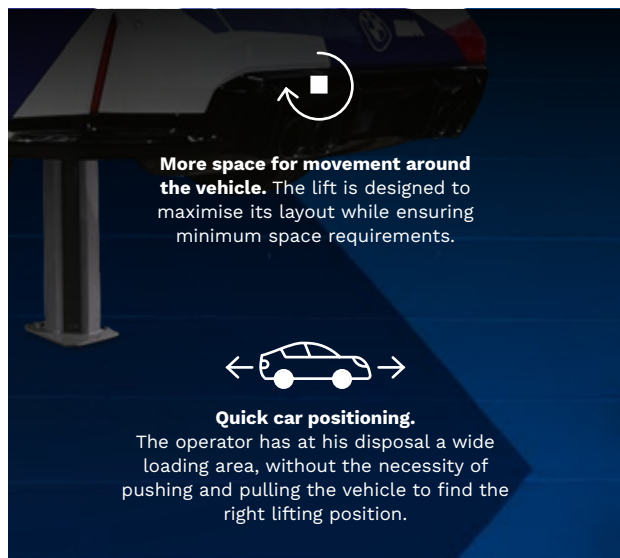
Rotated electromechanical lift featuring columns at 45°.



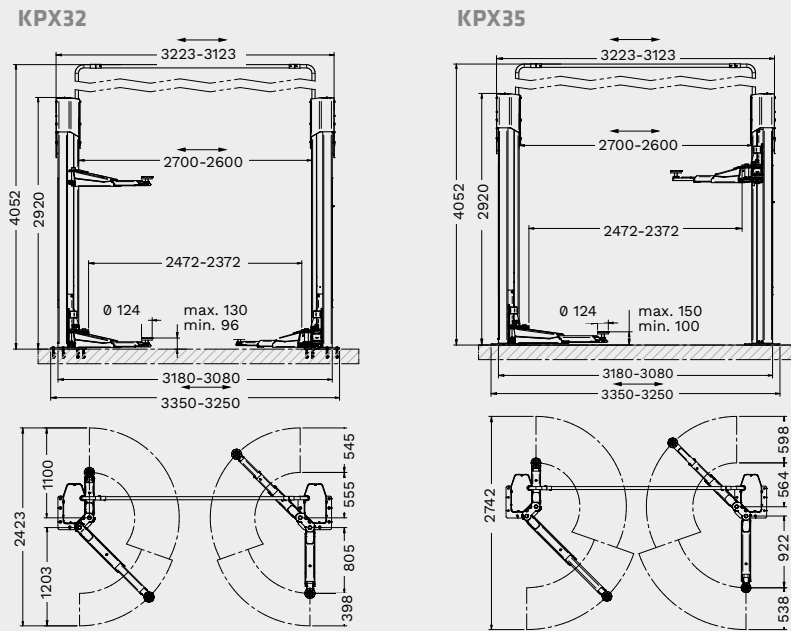
More space for movement around the vehicle. The lift is designed to maximise its layout while ensuring minimum space requirements.



Quick car positioning.
The operator has at his disposal a wide loading area, without the necessity of pushing and pulling the vehicle to find the right lifting position.



Technical Data



	KPX32	KPX35
Capacity	3200 kg	3500 kg
Max. lifting height	2000 mm	2020 mm
Lifting time	42 s	42 s
Min. pad height	96 mm	100 mm
Max. pad height	130 mm	150 mm
Column height	2920 mm	2920 mm
Drive-through width	2372-2472 mm	2372-2472 mm
Min. ceiling height	4150 mm	4150 mm
Arm layout	asymmetrical	
Min. front arm length	555 mm	564 mm
Max. front arm length	1100 mm	1160 mm
Min. rear arm length	805 mm	922 mm
Max. rear arm length	1200 mm	1460 mm
Driving power	2x2.6 kW	2x2.6 kW
Width	3250-3350 mm	3250-3350 mm
Height	4052 mm	4052 mm

	Item no.	Control	Energy kit	TEq-Link	Power supply
KPX32	RAV.KPX32.198570	switch			400 V 50 Hz
KPX32P	RAV.KPX32.198624	push buttons	✓	✓	400 V 50 Hz
KPX32P (230/3/50Hz)	RAV.KPX32.198785	push buttons	✓	✓	230 V 50 Hz
KPX35	RAV.KPX35.199010	push buttons		✓	400 V 50 Hz
KPX35E	RAV.KPX35.199157	push buttons	✓	✓	400 V 50 Hz

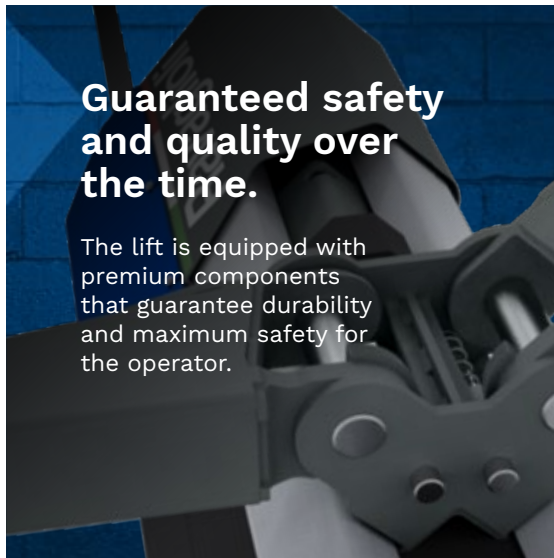
Minimum routine maintenance.

The operating parts require little time for easy replacement or maintenance reducing the risk of error on safety elements.



Guaranteed safety and quality over the time.

The lift is equipped with premium components that guarantee durability and maximum safety for the operator.



Smart and flexible installation.

Up to 20% improvement in installation time. The electronic synchronization avoids the installation and adjustment of the realignment cable. The lifts can be installed in a flexible way thanks to three width-adjustable positions.



Quick and easy operations.

The working bay is free of obstacles and the operations can be performed safely and comfortably.



TEq-Link
connected workshop

A step into the future.

Selected models with integrated **TEq-Link** module which enables to monitor work cycles, trigger alerts for scheduled maintenance and more.

Accessories



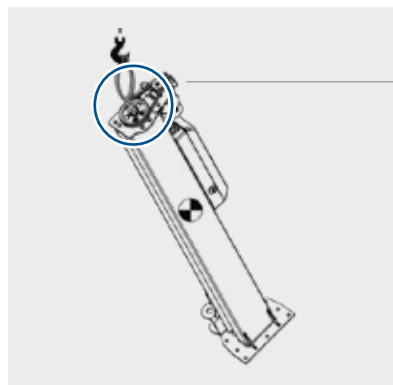
VSG.2CALL.902023

Kit containing pads to lift Fiat 500E and 500 ABARTH cars.



VSG.2CELM.902344

Kit for increasing overhead cable crossing height up to + 1.5 m.



VSG.2CELM.901927

Eyebolt for handling columns. It facilitates installation of the lift, can be used again for other installations.





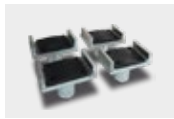
VSG.2CALL.901071
Kit containing 8 spacers for pads
4 spacers x H 89 mm + 4 spacers x
H 127 mm, 2 spacer support brackets



VSG.2CALL.901248
Kit containing 4 spacers for pads
4 spacers x H 200 mm, 2 spacer
support brackets



VSG.2CALL.901163
Kit with frame engaging adapters
1 set with 4 pieces



VSG.2CALL.901330
Kit with U-shaped frame engaging
adapters
1 set with 4 pieces



VSG.2CALL.901538
Kit with pads for TESLA vehicles
1 set with 4 pads



VSG.2CALL.901859
Mercedes G class support pads kit
1 set of 4 pads



VSG.2CALL.902023
Kit with pads for Fiat 500E, 500
ABARTH
1 set with 4 pads



VSG.2CALL.902146
Kit with pads for MEB platform
1 set with 4 pads



VSG.2CALL.901712
Sprinter/crafter support pads kit
1 set with 6 pads, for Mercedes
Sprinter and Volkswagen Crafter old
and new series



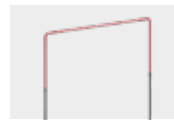
VSG.2CALL.901606
Ducato/boxer/jumper support pads kit
1 set of 4 pads, 2 front and 2 rear



VSG.2CALL.901378
Outrigger plates kit (3.5 t)
1 set of 2 plates, allowing installation
on floors with poor capacity or lower
concrete thickness



VSG.2CALL.901361
Outrigger plates kit (3.2 t)
Set of 2 plates, allowing installation
on floors with poor capacity or lower
concrete thickness



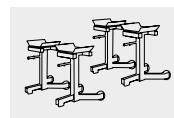
VSG.2CELM.902344
Kit for increasing overhead cable
passage height
Up to + 1.5 m



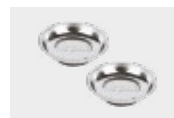
VSG.2CELM.901927
Eyebolt for handling columns (3.2 t -
3.5 t - 4.2 t)
It facilitates installation of the lift, can
be used again for other installations



VSG.2CALL.902818
Vehicles lift platforms kit
1 set with 4 ramps, ramp height 60
mm



VSG.2CALL.902085
Kit of stands for alignment
1 set with 4 stands



VSG.2CALL.902641
Magnetic tray
1 set with 2 trays



VSG.2CALL.902511
Holder for impact wrench
Ergonomic tool support



RAV Italy

Vehicle Service Group Italy S.r.l.

Via Filippo Brunelleschi 9
44020 Ostellato (FE)
Italy

+39.051.6781511
+39.051.846349
rav@ravaglioli.com

RAV France

RAV France SARL

4, Rue De Longue Raie
ZAC de la Tremblaie
91220 Le Plessis Pâté
France

+33.1.60.86.88.16
+33.1.60.86.82.04
rav@ravfrance.fr

RAV Germany

BlitzRotary GmbH

Hüfingener Straße 55
78199 Bräunlingen
Germany

+49.771.9233.0
+49.771.9233.99
ravd@ravaglioli.com

RAV UK

Vehicle Service Group UK Ltd

3 Fourth Avenue,
Bluebridge Industrial Estate
Halstead, Essex, CO9 2SY
United Kingdom

+44.1787.477711
+44.1787.477720
rav@ravaglioli.com

DRD42U(02)

Technical data and composition presented in this catalogue may vary.
Pictures reproduced are only indicative.
Photo credits: Technik Auto Service - Autoquip Garage Equipment / Brands Hatch

Member of VSG - Vehicle Service Group
a **DOVER** company

