

MOT equipment DVSA approved

Roller brake testers
Lifts



Class 4 non-ATL, Brake tester wall mounted control box.

RAVRT102/6F

Car brake tester bench without weighing system. With self brake motors.

RAVRT004

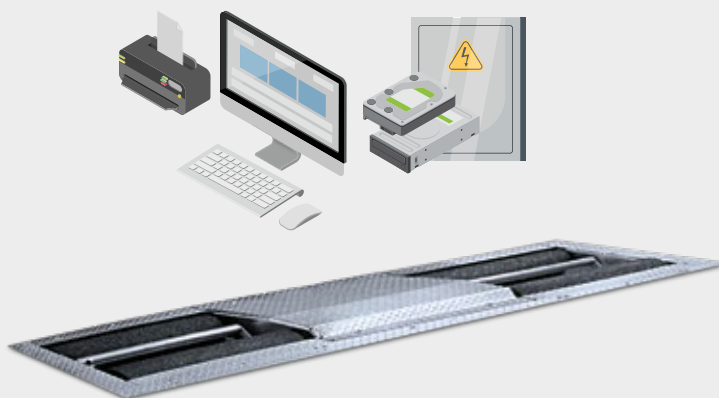
Computerized control unit for car brake tester:

- Wall installation electric box with electrical system for brake tester
- Latest technology PC complete with keyboard, mouse, HDMI port for monitor (not included)
- A4 Colour Printer
- 2 Shelves
- Remote control
- MOT testing software
- Customer's database
- DVSA connectivity-ready
- Compatible with Test Lane Connect (requires SRT128) for mirroring and control remoting on smartphone or tablet

VARRT004-MOT4/7 DVSA Homologation stickers

VARRT102/X/SPEED

Variant speed sensor (phonic wheel). Mandatory for UK.



Class 4 ATL, Brake tester wall mounted control box.

RAVRT102/6P4F

Car brake tester bench with 4-sensor weighing system. With self brake motors.

RAVRT004

Computerized control unit for car brake tester:

- Wall installation electric box with electrical system for brake tester
- Latest technology PC complete with keyboard, mouse, HDMI port for monitor (not included)
- A4 Colour Printer
- 2 Shelves
- Remote control
- MOT testing software
- Customer's database
- DVSA connectivity-ready
- Compatible with Test Lane Connect (requires SRT128) for mirroring and control remoting on smartphone or tablet

VARRT004-MOT4/7 DVSA Homologation stickers

VARRT102/X/SPEED

Variant speed sensor (phonic wheel). Mandatory for UK.



Class 4 ATL - Brake tester, stand-alone control cabinet.

RAVRT102/6P4F

Car brake tester bench with 4-sensor weighing system. With self brake motors.

RAVRT004/4E

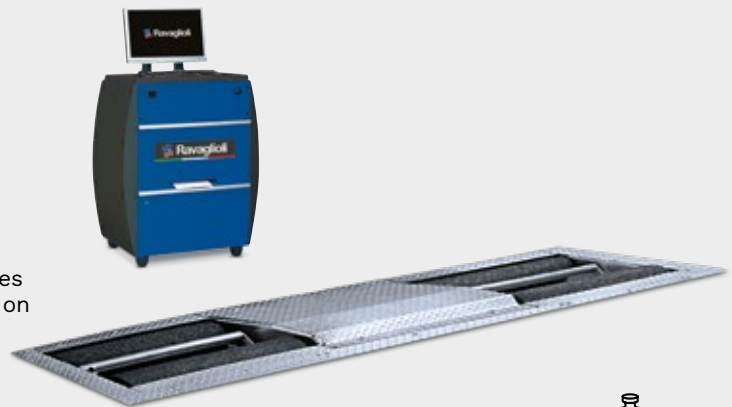
Computerized control unit for car brake tester:

- Cabinet with electrical system for roller brake tester
- LCD Monitor 22"
- Latest technology PC complete with keyboard, mouse, HDMI port for monitor
- A4 Colour Printer
- Remote control
- MOT testing software
- Customer's database
- DVSA connectivity-ready
- Compatible with Test Lane Connect (requires SRT128) for mirroring and control remoting on smartphone or tablet

VARRT-MOT/OMOL DVSA Homologation stickers

VARRT102/X/SPEED

Variant speed sensor (phonic wheel). Mandatory for UK.



Class 7 ATL, Brake tester wall mounted control box.

RAVRT175PFATL

Cars and light commercial vehicles brake tester bench with 4-sensor weighing system. With self brake motors.

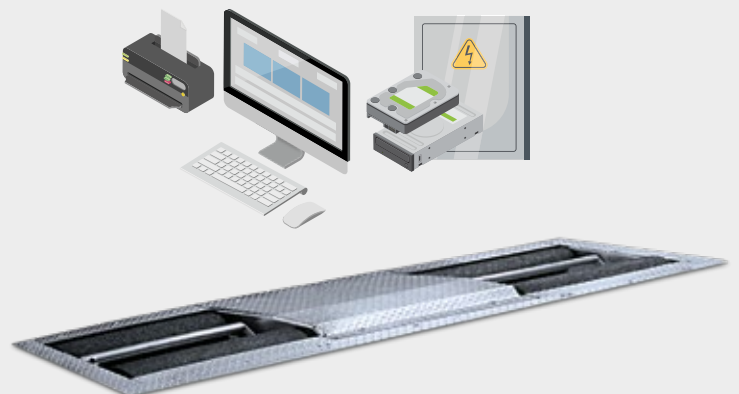
RAVRT004

Computerized control unit for car and light commercial vehicles brake tester:

- Wall installation electric box with electrical system for brake tester
- Latest technology PC complete with keyboard, mouse, HDMI port for monitor (not included)
- A4 Colour Printer
- 2 Shelves
- Remote control
- MOT testing software
- Customer's database
- DVSA connectivity-ready
- Compatible with Test Lane Connect (requires SRT128) for mirroring and control remoting on smartphone or tablet

VARRT004-MOT4/7 Homologation stickers

Variant speed sensor (phonic wheel).



Class 7 ATL-Brake tester, stand-alone control cabinet.

RAVRT175PFATL

Cars and light commercial vehicles brake tester bench with 4-sensor weighing system. With self brake motors.

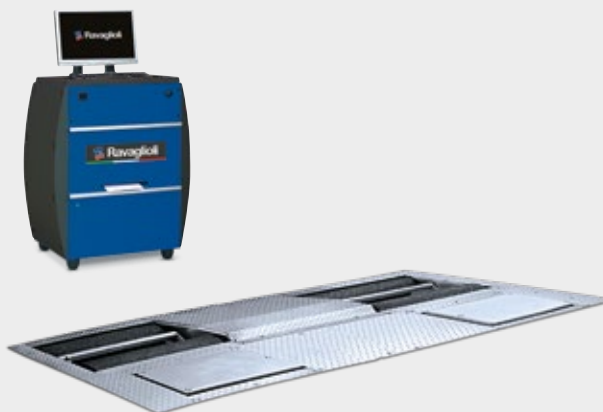
RAVRT004/4E

Computerized control unit for car brake tester:

- Cabinet with electrical system for roller brake tester
- LCD Monitor 22"
- Latest technology PC complete with keyboard, mouse, HDMI port for monitor
- A4 Colour Printer
- Remote control
- MOT testing software
- Customer's database
- DVSA connectivity-ready
- Compatible with Test Lane Connect (requires SRT128) for mirroring and control remoting on smartphone or tablet

VARRT-MOT/OMOL Approval Stickers

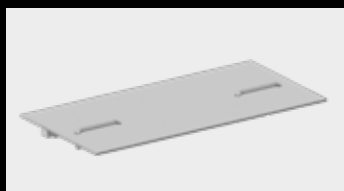
Variant speed sensor (phonic wheel).



R200MI OPL play detector (stand-alone)

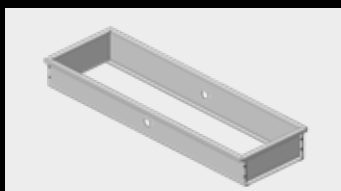
STDA77 Class 4&7 turnplates

On request:

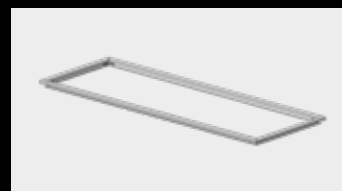


SRT046L
Cover plates (2 pcs) FOR **CLASS 4**

SRT175A1
Cover Plates (2 pcs) FOR **CLASS 7**



SRT102PCON
Cassette (galvanised) for roller bed RAVRT102/6P4F.



SRT102PPIT
Picture frame (galvanised) for roller bed RAVRT102/6P4F

DVSA ATF Approved commercial Brake testers (Class 5 and 7)

RAVRT009T MOTVFP+SRT630A2+SRT128+STDA142 (class 5 approved)

HGV/DVSA APPROVED COMMERCIAL BRAKE TESTERS (CLASS 5 & 7)

- Cabinet with electrical system for roller brake tester
 - LCD Monitor 22"
 - Latest technology PC complete with keyboard, mouse, HDMI port for monitor
 - A4 Colour Printer
 - Remote control
 - MOT testing software
 - Costumer's database
 - Compatible with Test Lane Connect (requires SRT128) for mirroring and control remoting on smartphone or tablet
 - Roller brake tester benches with 4-sensor weighing system and self brake motors, rear raised roller
- oMax transit weight tper axle 20000 kg
oMax test weight tper axle 16000 kg

- oMotor-power 15+15 kW
- oMax braking force 40000 N
- 2 x foundation cassettes
- DVSA database
- Including Test Lane Connect for mirroring and control remoting on smartphone or tablet



DVSA ATF Approved commercial Brake testers (Class 5 and 4/7; flat rollers, bidirectional)

RAVRT009T/MOTVFP+ VARRT600/FLAT+ VARRT11/15/4WD+SRT630A2 +SRT128+STDA142 (Class 4 and 7 approved)

HGV/DVSA APPROVED COMMERCIAL BRAKE TESTERS (CLASS 5 & 4/7)

- Cabinet with electrical system for roller brake tester
 - LCD Monitor 22"
 - Latest technology PC complete with keyboard, mouse, HDMI port for monitor
 - A4 Colour Printer
 - Remote control
 - MOT testing software
 - Costumer's database
 - For mirroring and control remoting on smartphone or tablet
 - Roller brake tester benches with 4-sensor weighing system and self brake motors, flat rollers
- oMax transit weight tper axle 20000 kg
oMax test weight tper axle 16000 kg
oMotor-power 15+15 kW

- oMax braking force 40000 N
- 2 x foundation cassettes
- DVSA database
- Including Test Lane Connect for mirroring and control remoting on smartphone or tablet



4 POST LIFTS

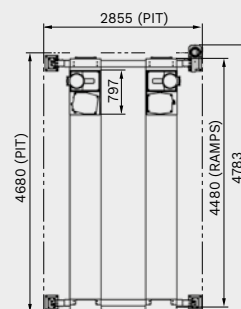
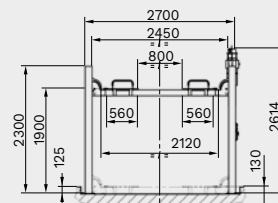
Class 4



Rav 4400.3IMOT4 4 Post lifts - Class 4

Low profile 130 mm - 4 ton

4 tonne four post electro-hydraulic lift, class 4 ATL/OPTL. This lift has been specifically designed to fit perfectly into existing MOT pits.



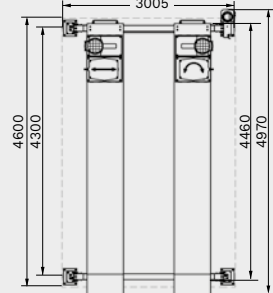
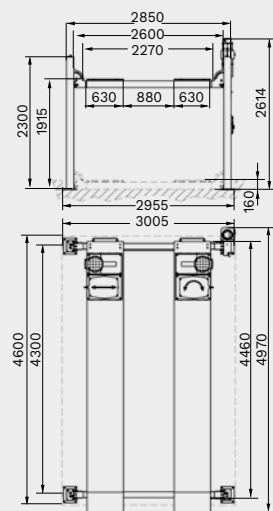
RAV 4400.3IMOT4



only 130 mm height

RAV 4401.3IMOT4 4 Post lifts - Class 4

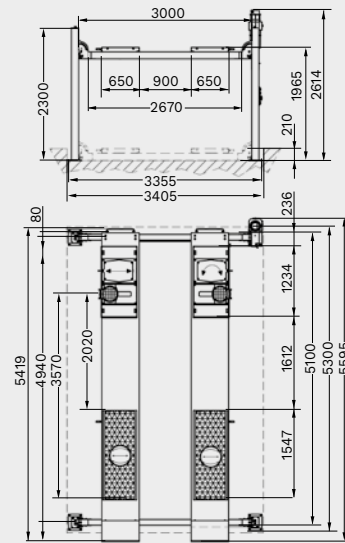
4 tonne four post electro-hydraulic lift, class 4 ATL/OPT.



RAV 4401.3IMOT4

RAV 4406.3IMOT4 4 Post lifts - Class 4

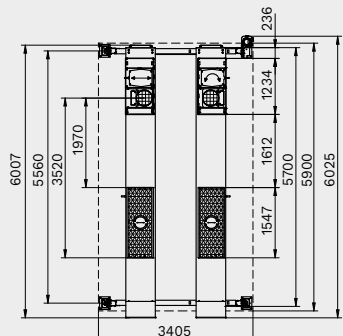
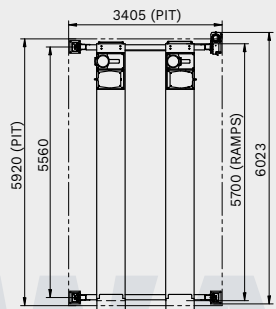
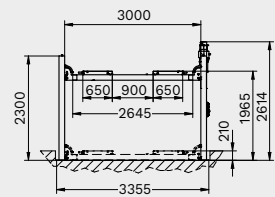
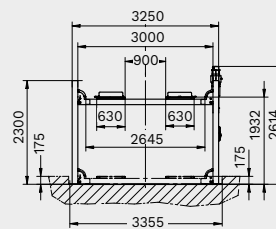
4 tonne four post electro-hydraulic lift,
class 4 ATL/OPTL.
MOT alignment lift with built-in rear slip plates.



RAV 4406.3IMOT4

RAV 4500.3IMOT7 4 Post lifts - Class 7

5 tonne four post electro-hydraulic lift,
class 7 ATL/OPTL.

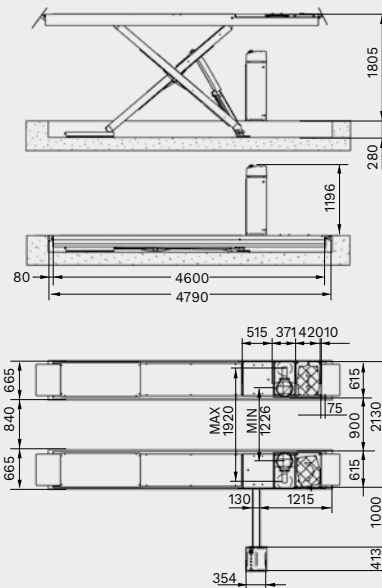


RAV 4500.3IMOT7

RAV 4502.3IMOT7

RAV 635NIIMOT4 Scissor lifts - Class 4

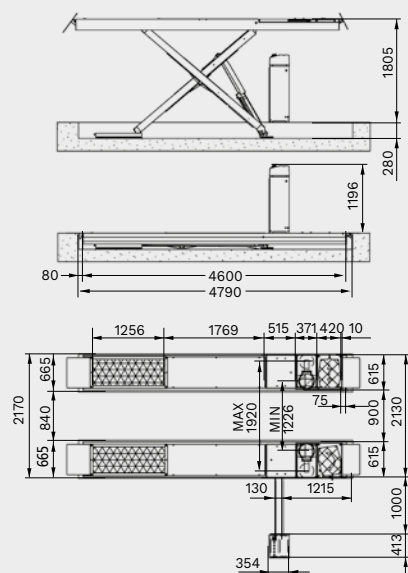
3,5 tonne scissor lift, class 4 ATL/OPTL.



RAV 635IMOT4

RAV 635N.2IMOT4

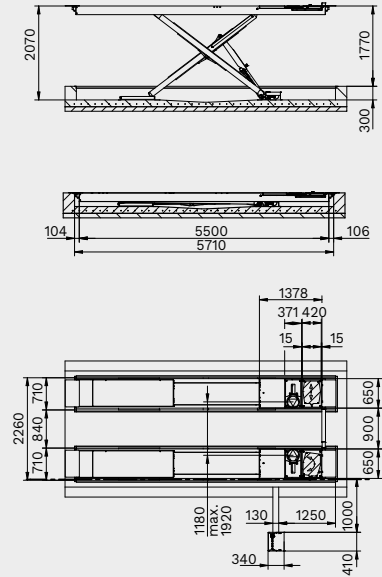
3,5 tonne scissor lift, class 4 ATL/OPTL.
MOT alignment lift with built-in rear slip plates.



RAV 635.2IMOT4

RAV 650N.55IMOT7 Scissor lifts - Class 7

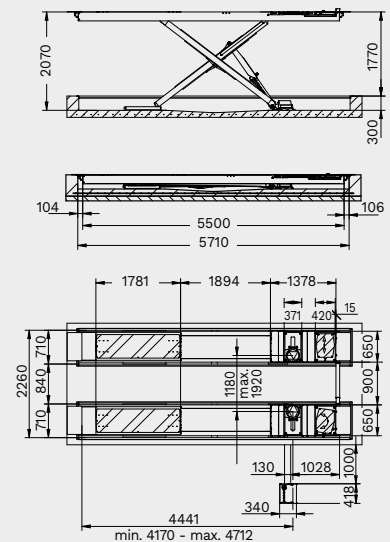
5 tonne scissor lift, class 7 ATL/OPTL.



RAV 650.55IMOT7

RAV 650N.5.55IMOT7

5 tonne scissor lift, class 7 ATL/OPTL.
MOT alignment lift with built-in rear slip plates.



RAV 650.5.55IMOT7

4 POST LIFTS - SCISSOR LIFTS

Class 4 - 7



Standard models are flush-mounted

MOT 4 post LIFTS without shaker plates NON-ALT

	RAV4400.1IMOT4	RAV4401.1IMOT4
Class	4	4
Lift capacity Kg	4000	4000
Height lowered mm	130	160
Platforms width	560	630
Platforms length	4480	4460
Power supply, standard(*)	3-PH	3-PH
Hydraulic shaker plates	no	no
Radius plates	included	included
Surface installation	+UE2842	+UE2964

* 1-PH power supply on request

MOT 4 post lifts OPTL/ATL

	RAV4400.3 IMOT4	RAV4401.3 IMOT4	RAV4406.3 IMOT4	RAV4500.3 IMOT7	RAV4502.3 IMOT7
Class	4	4	4	7	7
Lift capacity Kg	4000	4000	4000	5000	5000
Height lowered mm	130	160	210	175	210
Platforms width	560	630	650	650	650
Platforms length	4480	4460	5100	5700	5700
Power supply, standard(*)	3-PH	3-PH	3-PH	3-PH	3-PH
Hydraulic shaker plates	included	included	included	included	included
Radius plates	included	included	included	included	included
Built-in rear slip plates WA	no	no	yes	no	yes
Surface installation	+UE2842	+UE2964	+S4406LA3	+UE2812	+S4406LA3

Standard models are flush-mounted

MOT scissor lifts OPTL/ATL

	RAV635NIMOT4	RAV635N.2IMOT4	RAV650N.55IMOT7	RAV650N.5.55IMOT7
Class	4	4	7	7
Lift capacity Kg	3500	3500	5000	5000
Height lowered mm	270	270	270	270
Platforms width	615	615	650	650
Platforms length	4600	4600	5500	5500
Power supply, standard(*)	3-PH	3-PH	3-PH	3-PH
Hydraulic shaker plates	included	included	included	included
Radius plates	included	included	included	included
Built-in rear slip plates WA	no	yes	no	yes
Integrated scissor lift	no	no	no	no
Surface installation	available OPT	available OPT	available OPT	available OPT

* 1-PH power supply on request

RAV Italy

Ravaglioli S.p.A.

Via Primo Maggio 3
Pontecchio Marconi
40037 Sasso Marconi BO

☎ +39.051.6781511
☎ +39.051.846349
✉ rav@ravaglioli.com

RAV France

RAV France SARL

4, Rue Longue Raie
ZAC de la Tremblaise
91220 Le Plessis Pâté

☎ +33.1.60.86.88.16
☎ +33.1.60.86.82.04
✉ rav@ravfrance.fr

RAV Germany

BlitzRotary GmbH

Hüfänger Straße 55
78199 Bräunlingen
Germany

☎ +49.771.9233.0
☎ +49.771.9233.99
✉ ravid@ravaglioli.com

RAV UK

Vehicle Service Group UK Ltd

3 Fourth Avenue,
Bluebridge Industrial Estate
Halstead, Essex, CO9 2SY, UK

☎ +44.1787.477711
☎ +44.1787.477720
✉ rav@ravaglioli.com

DRZ14U(01)

Technical data and composition presented in this catalogue may vary.
Pictures reproduced are only indicative.

Member of VSG - Vehicle Service Group
a company

